

FIGURE 2 - PARTS LIST: MK-4026KBG CONCRETE SAW P/N 167420-26G

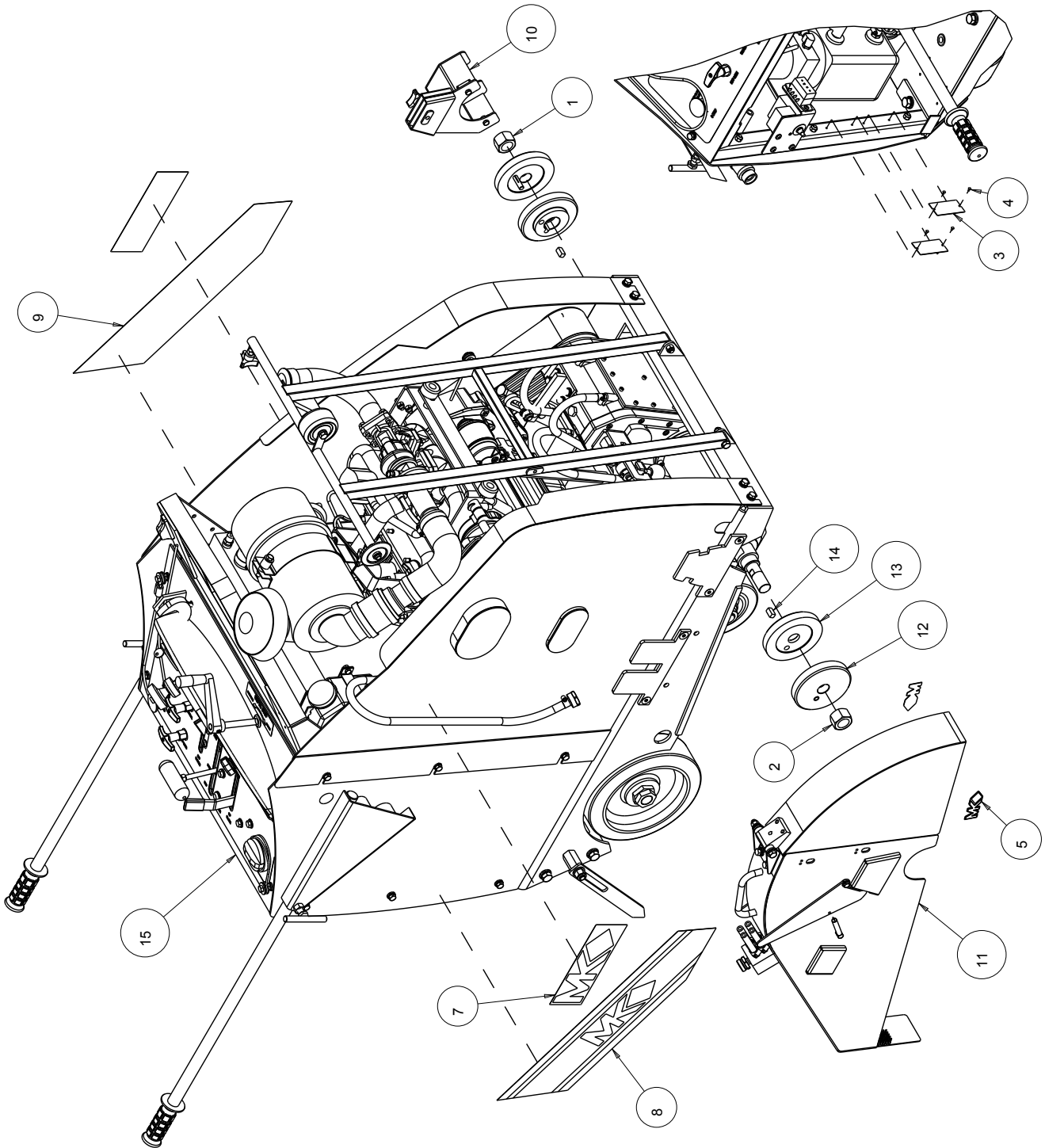
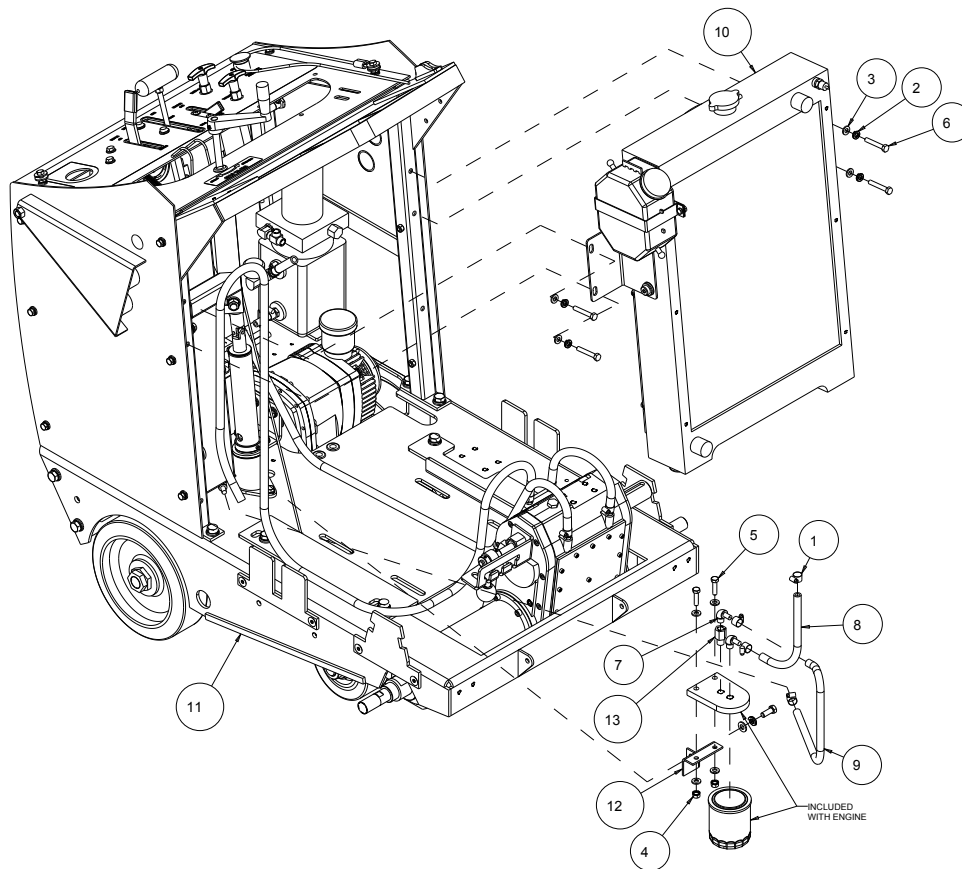


FIGURE 2 - PARTS LIST: MK-4026KBG CONCRETE SAW P/N 167420-26G

ITEM NO.	DESCRIPTION	PART #	QTY. REQ.
1	NUT, 1 - 14 RIGHT HAND	138693	1
2	NUT, 1 - 14 LEFT HAND	138701	1
3	TAG, SERIAL #, BLANK	157500-RW	2
4	DRIVE SCREW, #7 X 5/16 ROUND HEAD	157849	4
5	LOGO, MK ADHESIVE	157914	2
6	SHEET, LABEL, MK LOGO, 400	165709	2
7	LABEL, MK LOGO	165709	2
8	LABEL, RIGHT TOWER	165709	1
9	LABEL, LEFT TOWER	165709	1
10	ASSY, SHAFT GUARD	166056	1
11	ASSY, BLADE GUARD 26", WHITE	168279-26-WH	1
12	ASSY, FLANGE, KEYED, OUTER, 5"	168596-5	2
13	FLANGE, KEYED, INNER, 5"	168598-5	2
14	KEY, SQR, 3/8 X 3/4	169371	2
15	MK-4000KBG CONC SAW-PARENT	167420G	1

FIGURE 5A - PARTS LIST: MK-4400GD CONCRETE SAW P/N 167420G



ITEM NO.	DESCRIPTION	PART #.	QTY. REQ.
1	CLAMP, HOSE, 5/8	151198	4
2	WASHER, FLAT, SPLIT, 5/16	151747	4
3	WASHER, LOCK, SAE, 5/16	151754	8
4	NUT, HEX, TW, 5/16 - 18	153942	2
5	SCREW, 5/16 - 18 X 1 -1/4 HEX HEAD MACHINE	153950	2
6	SCREW, 5/16 - 18 X 2 HEX HEAD	155494	4
7	ELBOW, 1/4 MNPT X 5/16 BARB, BRASS	164278	2
8	HOSE, 5/16 FUEL, 12"	164958	1
9	HOSE, 5/16 FUEL, 12"	164958	1
10	ASSY, RADIATOR, KB	167946-KB	1
11	ASSY, 4000HY/KBG SUB	168905	1
12	BRACKET, FUEL FILTER, KB	169350	1
13	FITTING, 3/8 MNPT X 1/4 FNPT	169703	1

FIGURE 5B - PARTS LIST: MK-4400GD CONCRETE SAW P/N 167420G

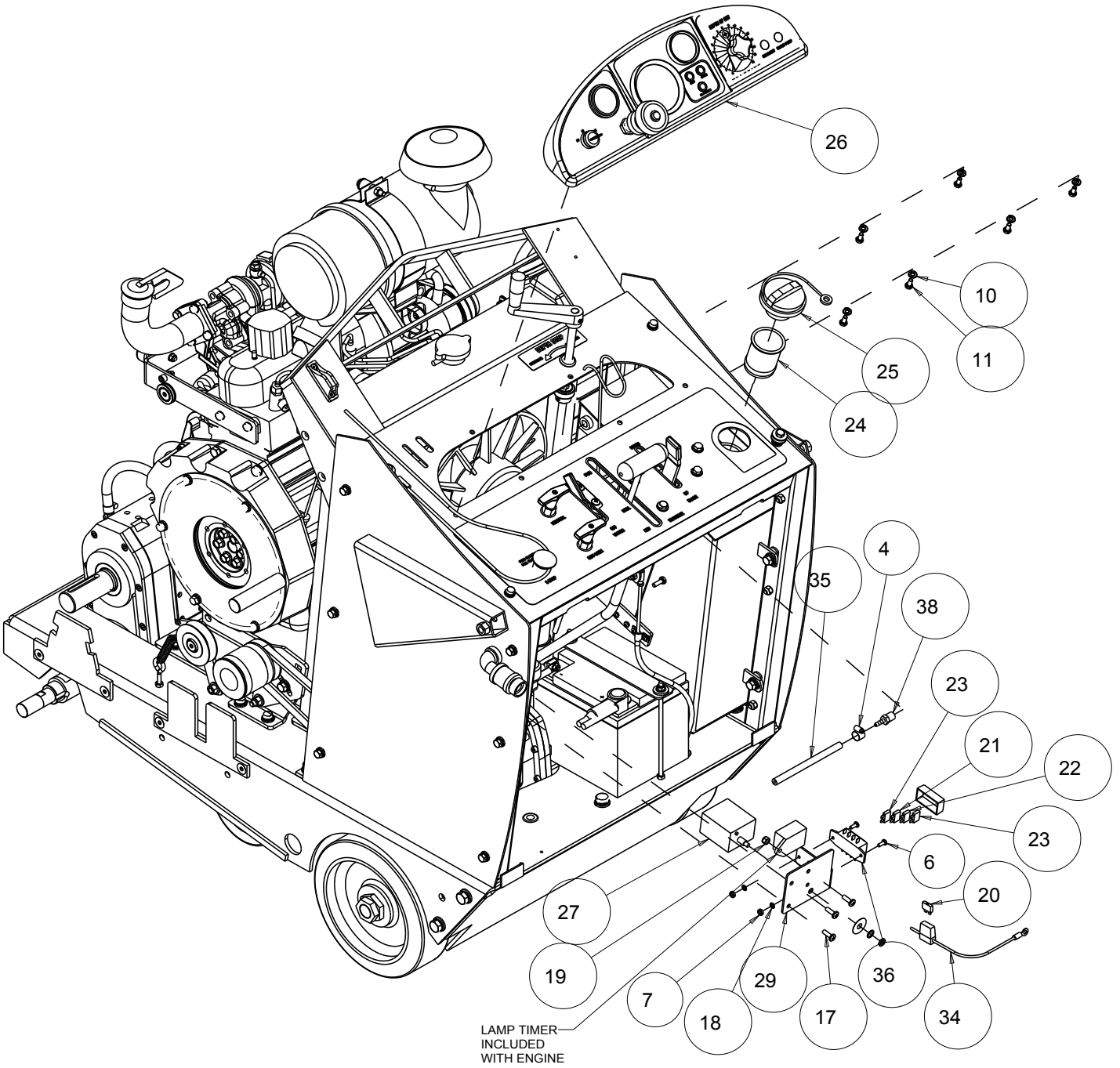


FIGURE 5B - PARTS LIST: MK-4400GD CONCRETE SAW P/N 167420G

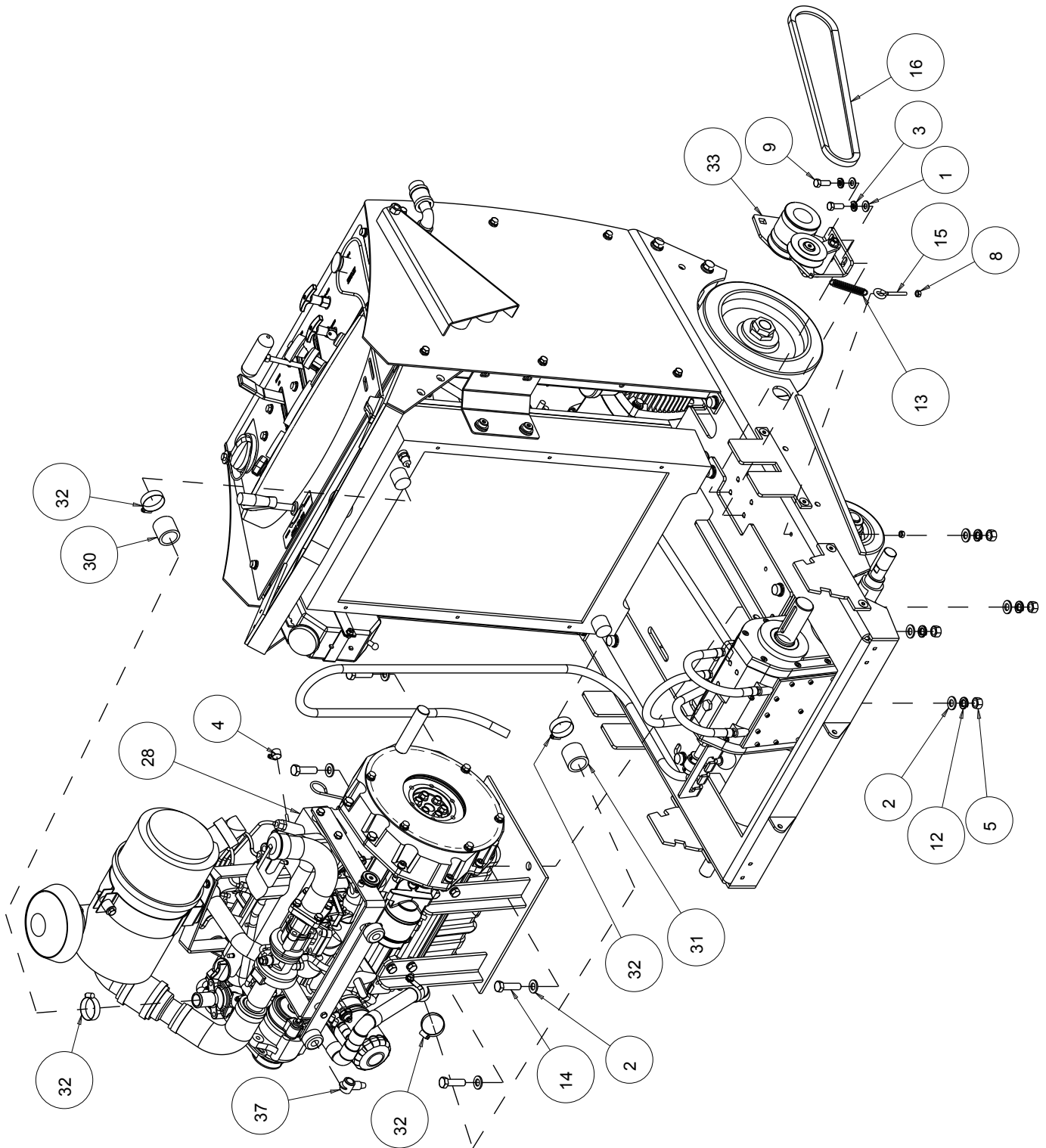


FIGURE 5B - PARTS LIST: MK-4400GD CONCRETE SAW P/N 167420G

ITEM NO.	DESCRIPTION	PART #.	QTY. REQ.
1	WASHER, 3/8 SAE FLAT	150923	2
2	WASHER, 1/2 SAE FLAT	150924	8
3	WASHER, LOCK, SPLIT, 3/8	150925	2
4	CLAMP, HOSE, 5.8	151198	2
5	NUT, 1/2 - 13 HEX	151282	4
6	SCREW, PAN HD, #10 - 24 X 1/2	151744	2
7	NUT, HEX, 10 - 24	151749	2
8	NUT, HEX, 1/4 - 20	151893	2
9	SCREW, HEX HD CAP, 3.8 - 16 X 1	152507	2
10	WASHER, LOCK, SPLIT, 1/4	152591	6
11	SCREW, 1/4 - 20 X 1/2 HEX HEAD	152608	6
12	WASHER, 1/2 SPLIT LOCK	153524	4
13	SPRING, 9/16 X 2.5 EXTENSION	153807	1
14	SCREW, 1/2 - 13 X 1 - 3/4 HEX HEAD CAP	153853	4
15	EYEBOLT, 1/4 - 20 X 2	153887	1
16	BELT, AX-37	154445	1
17	SCREW, PAN HD, 1/4 - 20 X 3/4	157523	3
18	WASHER, LOCK, IT , #10	158336	2
19	NUT, HEX, NYLK, 1/4 - 20	159857	1
20	FUSE, 40A ATC BLADE	164595	1
21	FUSE, 20A ATC BLADE	164596	1
22	FUSE, 10A ATC BLADE	164597	1
23	FUSE, 5A ATC BLADE	164598	2
24	NECK, 2: FUEL FILLER	167219-D	1
25	CAP, 2" FUEL FILLER	167220	1
26	ASSY, INSTRUMENT PANEL	167222	1
27	SWITCH, MAGNETIC, 12/24V, MDL117	167502	1
28	ASSY, ENGINE, 44HP KBG	167507-GBX	1
29	BRACKET, FUSEBOX, KD	167536	1
30	HOSE, RADIATOR, 1 - 1/4ID, UPPER, KB	167559	1
31	HOSE, RADIATOR, 1 - 1/4ID, LOWER, KB	167560	1
32	CLAMP, 1 - 1/16 TO 2 HOSE	167617	4
33	ASSY, TRANS IDLER, KB	167666	1
34	WIRE HARNESS, KB	167672	1
35	HOSE, FUEL, 3/16ID (6.0')	167674	1
36	BLOCK, FUSE, 4 - SLOT	169148	1
37	COVER, 8 - 4 AWG TERMINAL, RED	169355	1
38	FITTING, 1/4 MNPT X 3/16 BARB	169361	1

FIGURE 5C - PARTS LIST: MK-4400GD CONCRETE SAW P/N 167420G

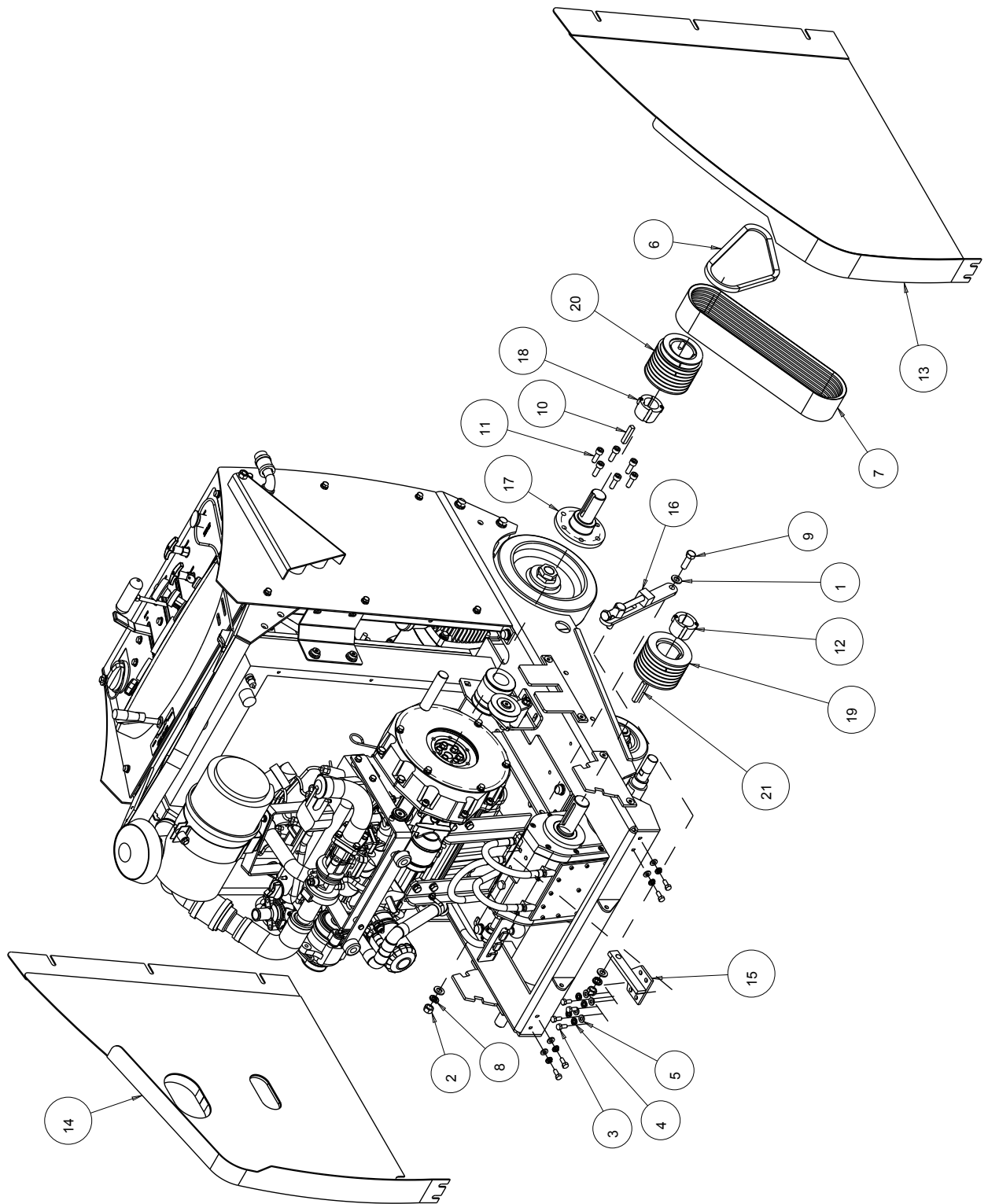


FIGURE 5C - PARTS LIST: MK-4400GD CONCRETE SAW P/N 167420G

ITEM NO.	DESCRIPTION	PART #	QTY. REQ.
1	WASHER, 1/2 SAE FLAT	150924	2
2	NUT, 1/2 - 13 HEX	151282	1
3	SCREW, HEX HD, CAP, 5/16 - 18 X 3/4	151369	8
4	WASHER, LOCK, SPLIT, 5/16	151747	8
5	WASHER, FLAT, SAE, 5/16	151754	8
6	BELT, AX-26	152365	1
7	BELT, 7/3VX400	152478-7	1
8	WASHER, 1/2 SPLIT LOCK	153524	1
9	SCREW, 1/2 - 13 X 1 - 1/2 HEX FLANGE HEAD, RIGHT HAND	160819	1
10	KEY, 3/8 SQUARE X 2	162620	1
11	SCREW, SOC HD, M10 - 1.25 X 30MM	167513	6
12	BUSHING, TPR-LOCK, 1615 X 1 - 1/2	167705	1
13	GUARD, ENGINE, LEFT, C44/48	168931	1
14	GUARD, ENGINE, RIGHT, C44/48	168932v	1
15	BRACKET, TENSIONER, 4000	168207	1
16	ASSY, TENSIONER, GBX	169208	1
17	SHAFT, PTO 4000KBG	169956	1
18	BUSHING, TPR-LOCK, 1615 X 1 - 7/16	170102	1
19	PULLEY, 7/3VX/4.5 X 1615TB	170322	1
20	PULLEY, 7/3VX 4.5/1A4 X 1615TB	170323	1
21	KEY, 3/8 SQUARE X 2 - 3/8	170324	1

FIGURE 6 - PARTS LIST: ASSY, ENGINE, 44HP KBG, C44 P/N 167507-GBX

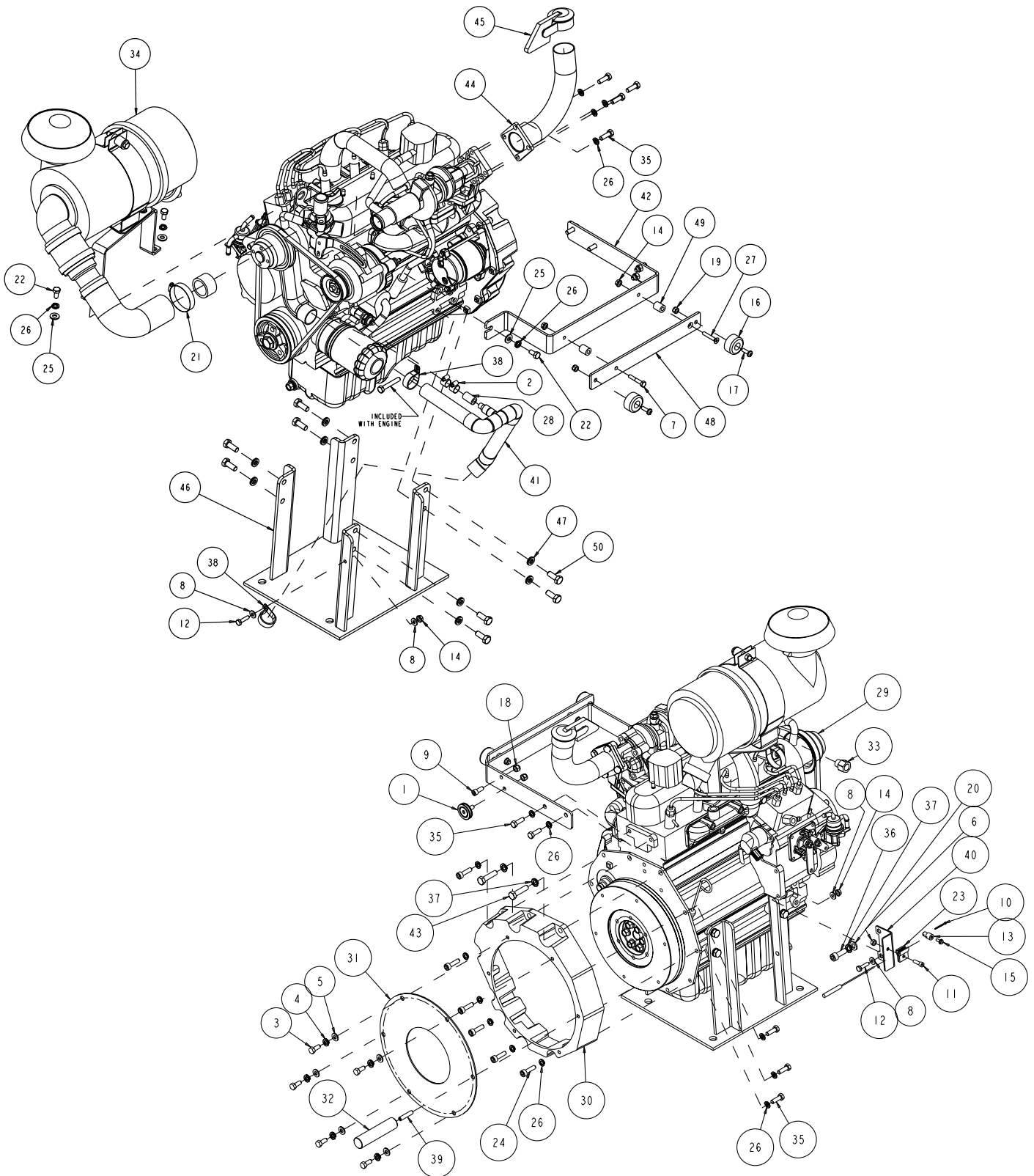
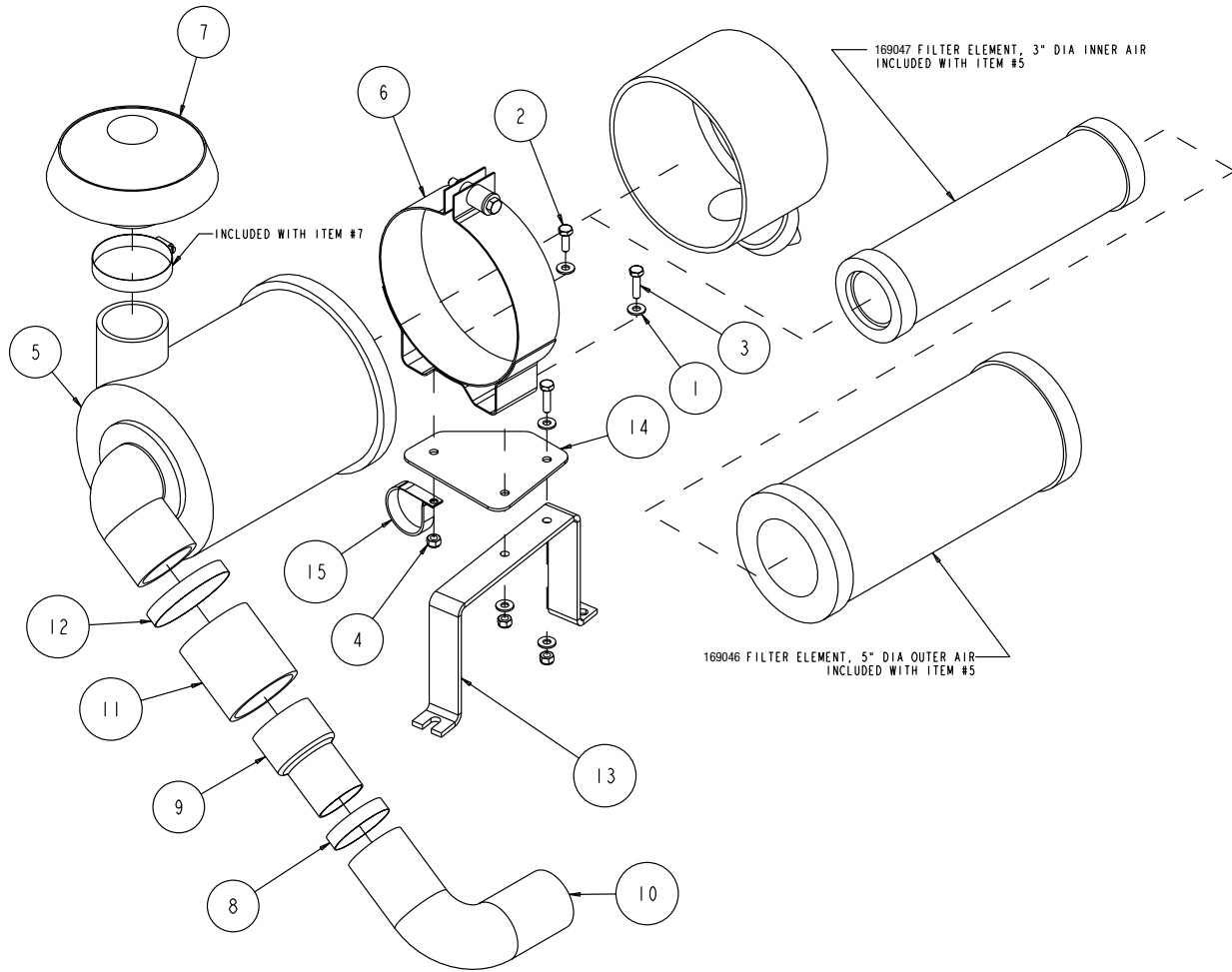


FIGURE 6 - PARTS LIST: ASSY, ENGINE, 44HP KBG, C44 P/N 167507-GBX

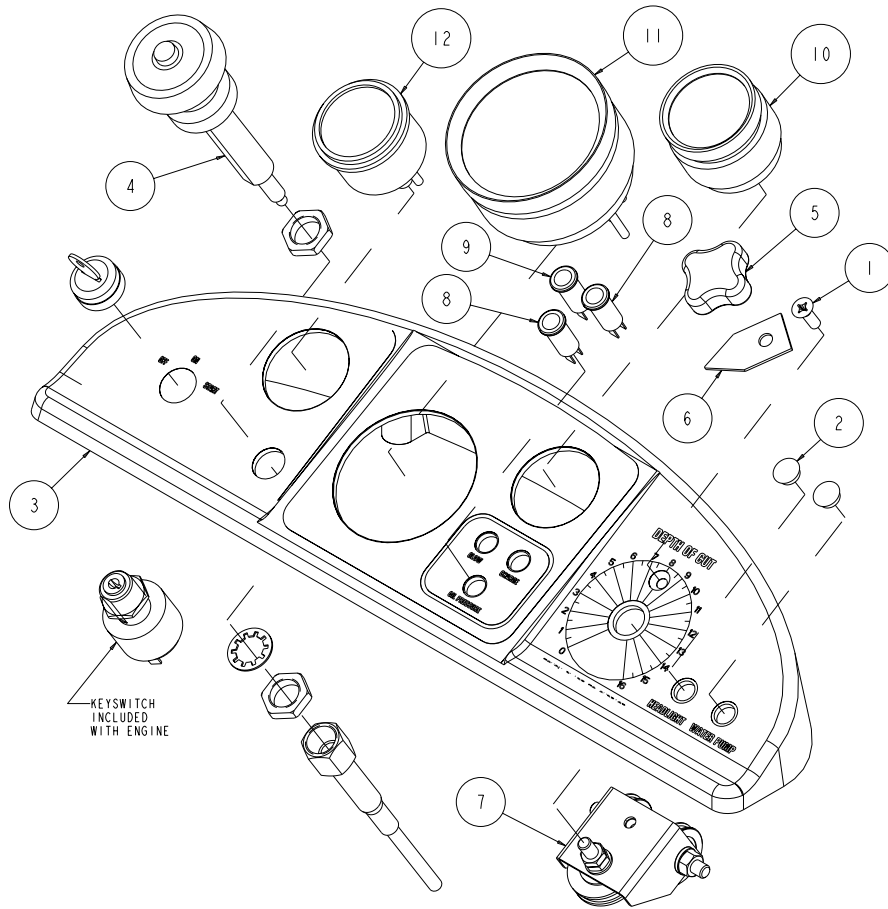
ITEM NO.	DESCRIPTION	PART #	QTY. REQ.
1	WHEEL, CONVEYOR CART	133090	1
2	CLAMP, 5/8 HOSE	151198	2
3	SCREW, HEX HD, CAP, 5/16 - 18 X 3/4	151369	5
4	WASHER, LOCK, SPLIT, 5/16	151747	5
5	WASHER, FLAT, SAE, 5/16	151754	5
6	NUT, HEX, 1/4 - 20	151893	1
7	SCREW, HEX HEAD 1/4 - 20 X 1 - 1/2"	151914	1
8	WASHER, 1/4 SAE FLAT	151915	4
9	SCREW, SOC HD, 45/16 - 18 X 3/4	152444	1
10	PIN, 1/6 X 3/4 COTTER	152518	1
11	SCREW, 1/4 - 20 X 3/4 SOCKET HEAD CAP	152587	1
12	SCREW, HEX HD, TAP, 1/4 - 20 X 1	152676	2
13	PIN, WIRE STOP	153842	1
14	NUT, HEX, TW, 1/4 - 20	153941	4
15	SCREW, HEX HD FL 10 - 24 X 5/16	154172	1
16	BUMPER, 1/4 ID X 1 - 1/2OD X 3/4	154496	2
17	SCREW, PAN HD, 1/4 - 20 X 3/4	157523	2
18	NUT, HEX, NYLK, 5/16 - 18	158289	2
19	NUT, HEX, NYLK, 1/4 - 20	159857	2
20	WASHER, FLAT, M10	160203	1
21	CLAMP, HOSE, 1 - 15/16 TO 2 - 1/4	162816	1
22	SCREW, HEX HD, M8 - 1.25 X 16MM	164223	3
23	CLAMP, 30 SERIES CLAMSHHELL CONDUIT	164600	1
24	SCREW, SOC HD, M - 1.25 X 30MM	164721	6
25	WASHER, FLAT, M8	164855	3
26	WASHER, LOCK, SPLIT, M8	164860	18
27	SCREW, 1/4 - 20 X 3/4 FLAT HEAD PHILLIPS MACHINE	165120	1
28	HOSE, 3/8 FUEL, 1" LONG	166472	1
29	ENGINE, KUBOTA, 44HP, DIESEL	167291	1
30	CASTING, FLYWHL GRD, KB, COMP	167498	1
31	PLATE, FLYWHEEL GRD, KB	167499	1
32	STAND OFF, FLYWHEEL GRD, KB	167500	1
33	ADAPTER, 3/8 MNPT X A-BULB TEMP	167503	1
34	ASSY, 7" AIR CLEANER, KB	167509	1
35	SCREW, HEX, M8 - 1.25 X 25MM	167512	9
36	SCREW, SOC HD, M10 - 1.25 X 30MM	167513	1
37	WASHER, LOCK, SPLIT, M10	167515	3
38	CLAMP, 1 - 1/4 CUSHION LOOP	167523	2
39	SCREW, SOC SET, CPT, 5/16 - 18 X 1 - 1/2	167525	1
40	BRACKET, THROTTLE CABLE, KB	167526	1
41	PIPE, RADIATOR OUTLET, KB	167529	1
42	BRACKET, POINTER STOP, KB	167557	1
43	SCREW, HEX, M10 - 1.25 X 40MM	167613	2
44	PIPE, 1 3/4 EXHAUST, KB	168883	1
45	CAP, WEATHER, 1 - 3/4 EXHAUST	168884	1
46	MOUNT, ENGINE, 4000KB GBX	169655	1
47	WASHER, CHROMATE, 3.8, PAIR	169692	8
48	PLATE, POINTER STOP, KBG	169970	1
49	SPACER, POINTER STOP, KBG	169971	2
50	SCREW, HEX, M10 - 1.25 X25MM	170112	8

FIGURE 7 - PARTS LIST: ASSY, 7" AIR CLEANER P/N 167509



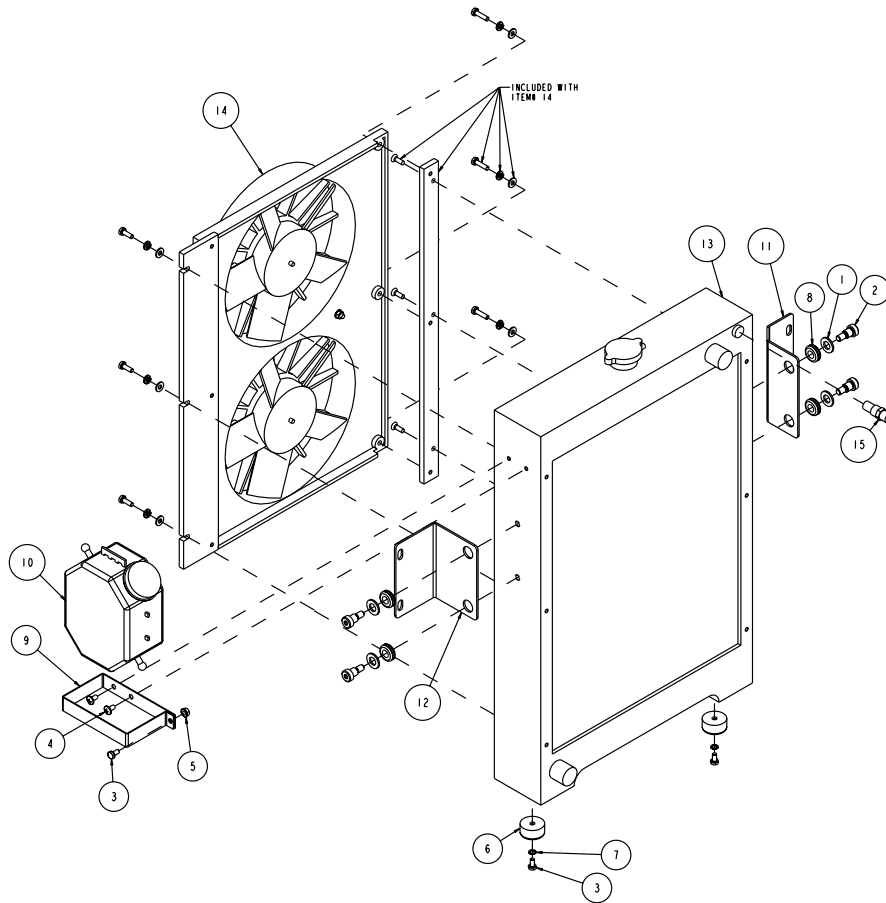
ITEM NO.	DESCRIPTION	PART #	QTY. REQ.
1	WASHER, 1/4 SAE FLAT	151915	5
2	SCREW, 1/4-20 X 3/4 HEX HEAD MACHINE	152370	1
3	SCREW, HEX HD CAP, 1/4-20 X 1	152676	2
4	NUT, 1/4-20 NYLOK	159857	3
5	AIR CLEANER, 7"	162607	1
6	BRACKET, 7" AIR CLEANER	162608	1
7	HOOD, 2.5" INLET	162609	1
8	CLAMP, 1-5/16 TO 2-1/4 HOSE	162816	1
9	ADAPTER, 1-7/800 X 2-1/4 ID TUBE	162857	1
10	HOSE, Ø1-3/4 X 90 INTAKE (COMP)	163985	1
11	HOSE, 2-1/2 ID INTAKE (COMP)	163986	1
12	CLAMP, 2-5/16 TO 3-1/4 HOSE	164242	2
13	BRACKET, AIR CLEANER, KB	167510	1
14	PLATE, AIR CLEANER, KB	167511	1
15	CLAMP, 1-3/4 CUSHION LOOP	167522	1

FIGURE 8 - PARTS LIST: ASSY, INSTRUMENT PANEL P/N 167222



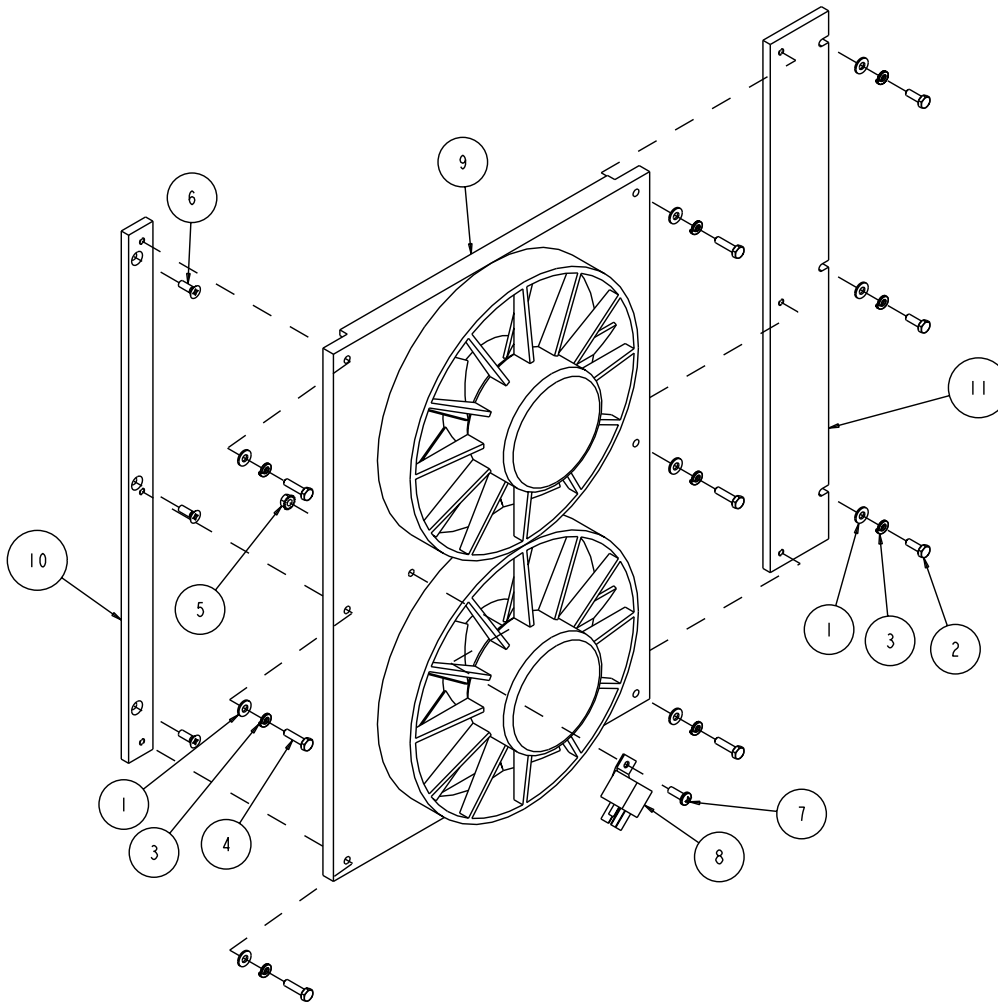
ITEM NO.	DESCRIPTION	PART #	QTY. REQ.
1	SCREW, 1/4-20 X 3/4 FLAT HEAD PHILLIPS MACHINE	154657	1
2	PLUG, 1/2 FLUSH HEAD BUTTON	156779	2
3	PANEL, INSTRUMENT (COMP)	160909-KB	1
4	CONTROL, THROTTLE-COMP	162616-KB	1
5	KNOB, DEPTH INDICATOR (COMP)	162629	1
6	POINTER, DEPTH INDICATOR	162630	1
7	ASSY, DEPTH INDICATOR	162881	1
8	LIGHT, 1/2" DIA, PANEL, RED	163938	2
9	LIGHT, 1/2" DIA, PANEL, GREEN	163939	1
10	GAUGE, FUEL, ANALOG	164151	1
11	GAUGE, TACH, DIESEL	164152-D	1
12	GAUGE, TEMP, 2"	167501	1

FIGURE 9 - PARTS LIST: ASSY, RADIATOR P/N 169946-KB



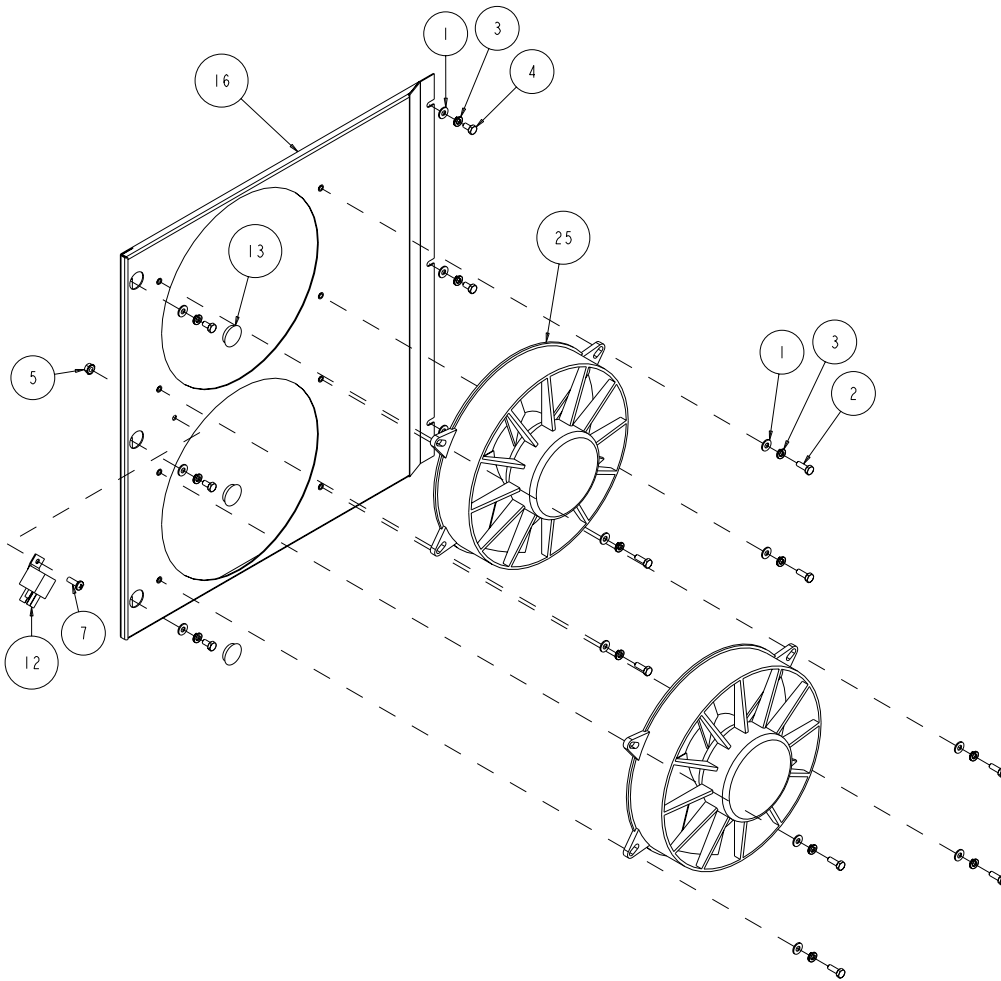
ITEM NO.	DESCRIPTION	PART #	QTY. REQ.
1	WASHER, 1/2 SAE FLAT	150924	4
2	SCREW, SHOULDER, 1/2 X 1/2	151753	4
3	SCREW, 1/4 - 20 X 1/2 HEX HEAD	152608	3
4	SCREW, 1/4 - 20 X 1/2 TRUSS HEAD	153880	2
5	NUT, HEX, TW, 1/4 - 20	153941	1
6	BUMPER, 1/4 ID X 1 - 1/200 X 3/4	154496	2
7	WASHER, LOCK, 1/4 INT TOOTH	162490	2
8	GROMMET 1/2 X 1.0	164207	4
9	BRACKET, RADIATOR BOTTLE	167208	1
10	RESERVOIR, COOLANT	167209	1
11	BRACKET, RADIATOR, LEFT, KB	167942-KB	1
12	BRACKET, RADIATOR, RIGHT, KB	167943-KB	1
13	RADIATOR, 18.25 X 27.5	167945	1
14	FAN, DUAL, 12VDC, COMP	169287	1
15	SWITCH, TEMP, 185 DEG, 3/8PT	169295	1

FIGURE 10 - PARTS LIST: ASSY, RADIATOR FAN P/N 169287



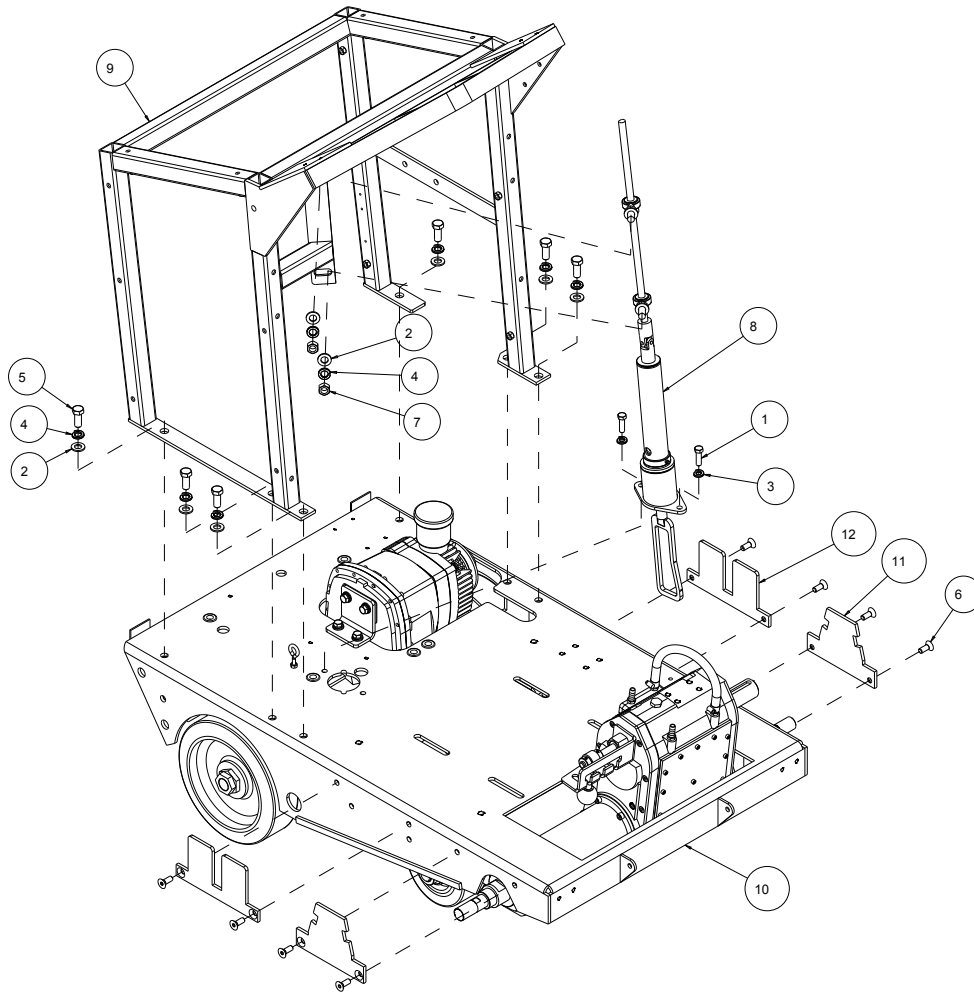
ITEM NO.	DESCRIPTION	PART #	QTY. REQ.
1	WASHER, 1/4 SAE FLAT	151915	9
2	SCREW, HEX HD, 1/4 - 20 X 3/4	152370	3
3	WASHER, 1/4 SPLIT LOCK	152591	9
4	SCREW, HEX HD CAP, 1/4 - 20 X 1	152676	6
5	NUT, HEX, TW, 1/4 - 20	153941	1
6	SCREW, 1/4 -20 X 3/4 FLAT HEAD PHILLIPS MACHINE	154657	3
7	SCREW, PAN HD, 1/4 - 20 X 3/4	157523	1
8	RELAY, 12V, 70A	164969	1
9	FAN, DUAL, 12VDC	169104	1
10	BAR, FAN MOUNT, LEFT	169108	1
11	BAR, FAN MOUNT, RIGHT	169296	1
12	WIRE HARNESS, DUAL FAN	169728	1

FIGURE 10 - PARTS LIST: ASSY, RADIATOR FAN P/N 169287-1



ITEM NO.	DESCRIPTION	PART #	QTY. REQ.
1	WASHER, 1/4 SAE FLAT	151915	14
2	SCREW, HEX HD, 1/4 - 20 X 3/4	152370	8
3	WASHER, 1/4 SPLIT LOCK	152591	14
4	SCREW, 1/4 - 20 X 1/2 HEX HEAD	152608	6
5	NUT, HEX, TW, 1/4 - 20	153941	1
7	SCREW, PAN HD, 1/4 - 20 X 3/4	157523	1
8	PLUG, HOLE PLASTIC 1.0"	167941	3
9	FAN, RADIATOR, 11" DIA, 12VDC	169387	2
10	SHROUD, RADIATOR, DUAL 11" FAN	169388	1
11	WIRE HARNESS, DUAL FAN	169728	1

FIGURE 11 - PARTS LIST: ASSY, C4400HY/KB SUB A P/N 168905



ITEM NO.	DESCRIPTION	PART#	QTY. REQ.
1	SCREW, 3/8-16 X 1-1/4 HEX HEAD CAP	150774	2
2	WASHER, 1/2 SAE FLAT	150924	8
3	WASHER, 3/8 SPLIT LOCK	150925	2
4	WASHER, 1/2 SPLIT LOCK	153524	8
5	SCREW, 1/2 - 13 X 1 - 1/4 HEX HEAD CAP	153532	6
6	SCREW, FLAT HD, ALN, 3/8 - 16 X 1	154019	8
7	NUT, 1/2 - 20 HEX	162586	2
8	ASSY, DEPTH STOP	165710	1
9	TOWER, WELDMENT, RADIATOR	167199	1
10	ASSY, FAME SUB, GBX	168904	1
11	SPADE, FRONT, BOLTED	169458	2
12	SPADE, BACK, BOLTED	170292	2

FIGURE 12 - PARTS LIST: ASSY, MK-4400HY/KB SUB B P/N 168905

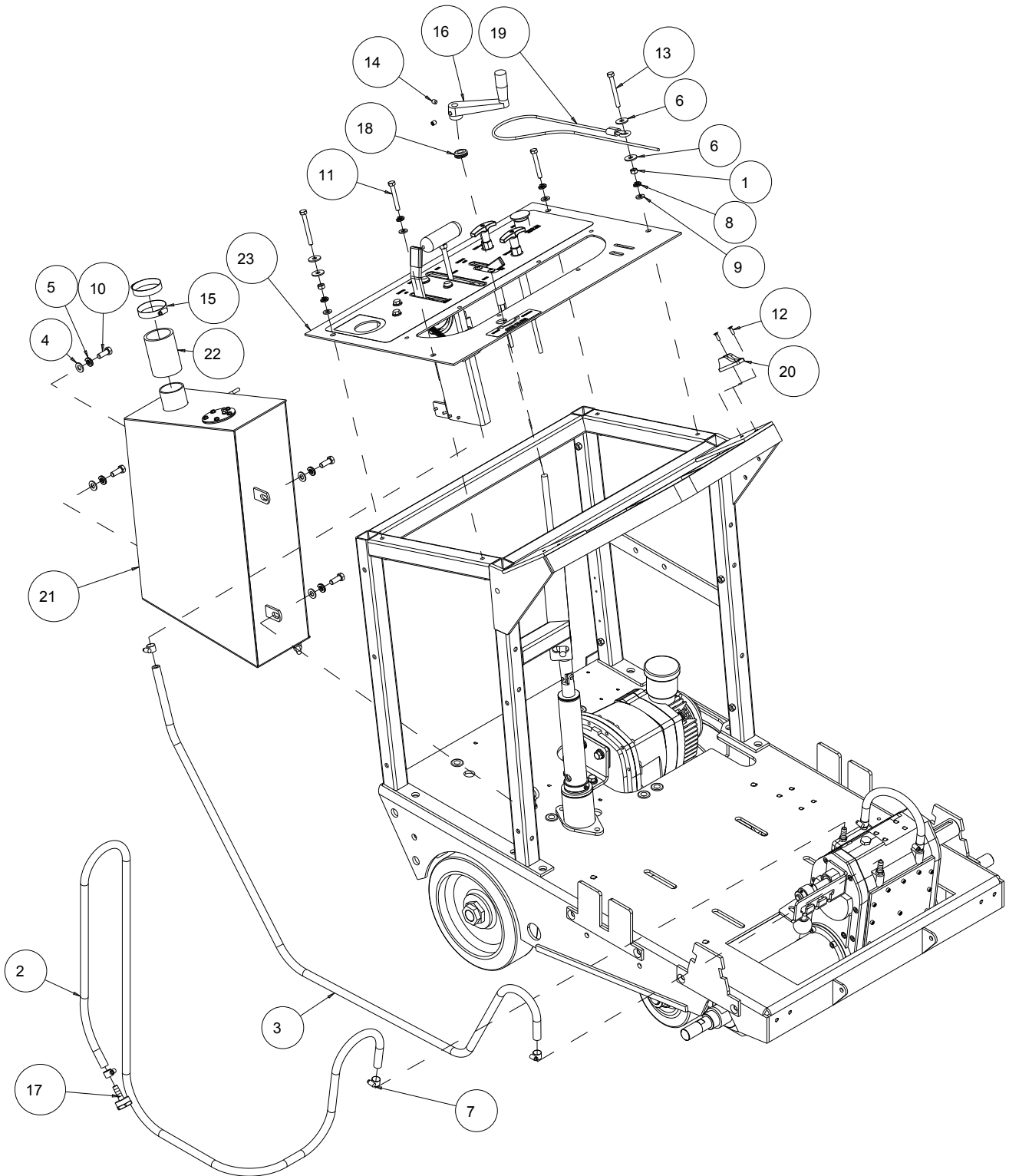


FIGURE 12 - PARTS LIST: ASSY, 59G SUB B P/N 168905

ITEM NO.	DESCRIPTION	PART #	QTY. REQ.
1	NUT, HEX, 5/16 - 18	101196	2
2	HOSE, 3/8 X 5/8 VINYL, 72"	150845	1
3	HOSE, 3/8 X 5/8 VINYL, 66"	150845	1
4	WASHER, 3/8 SAE FLAT	150923	4
5	WASHER, 3/8 SPLIT LOCK	150925	4
6	WASHER, FENDER, 5/16 X 1.0	151053	4
7	CLAMP, HOSE, 5/8	151198	4
8	WASHER, LOCK, SPLIT, 5/16	151747	4
9	WASHER, FLAT, SAE, 5/16	151754	4
10	SCREW, HEX HD CAP, 3/8 - 16 X 1	152507	4
11	SCREW, HEX, 5/16 - 18 X 2 - 1/4	153951	2
12	SCREW, FLAT HD 12 - 24 X 5/8	154295	2
13	BOLT, 5/16/ - 18 X 2 - 3/4 HEX HEAD TAP	156974	2
14	SCREW, 5/16 - 18 X 3/8 SOCKET HEAD SET	157083	2
15	CLAMP, HOSE, 1 - 15/16 TO 2 - 1/4	162816	2
16	HANDLE, DEPTH STOP (COMP)	163987	1
17	FITTING, 3/4 X 11.5 FNH X 3/8 BARB	163991	1
18	GROMMET 1/2 X 1.0	164207	1
19	ASSY, CABLE, POINTER	165739	1
20	CLEAT, 1/8" CABLE	165740	1
21	ASSY, FUEL TANK	167210	1
22	HOSE, 2.0 ID FUEL FILL (COMP)	167213	1
23	ASSY, CONTROL PANEL, LESS INST	167215	1

FIGURE 12 - PARTS LIST: ASSY, MK-4400HYKBG SUB C P/N 168905

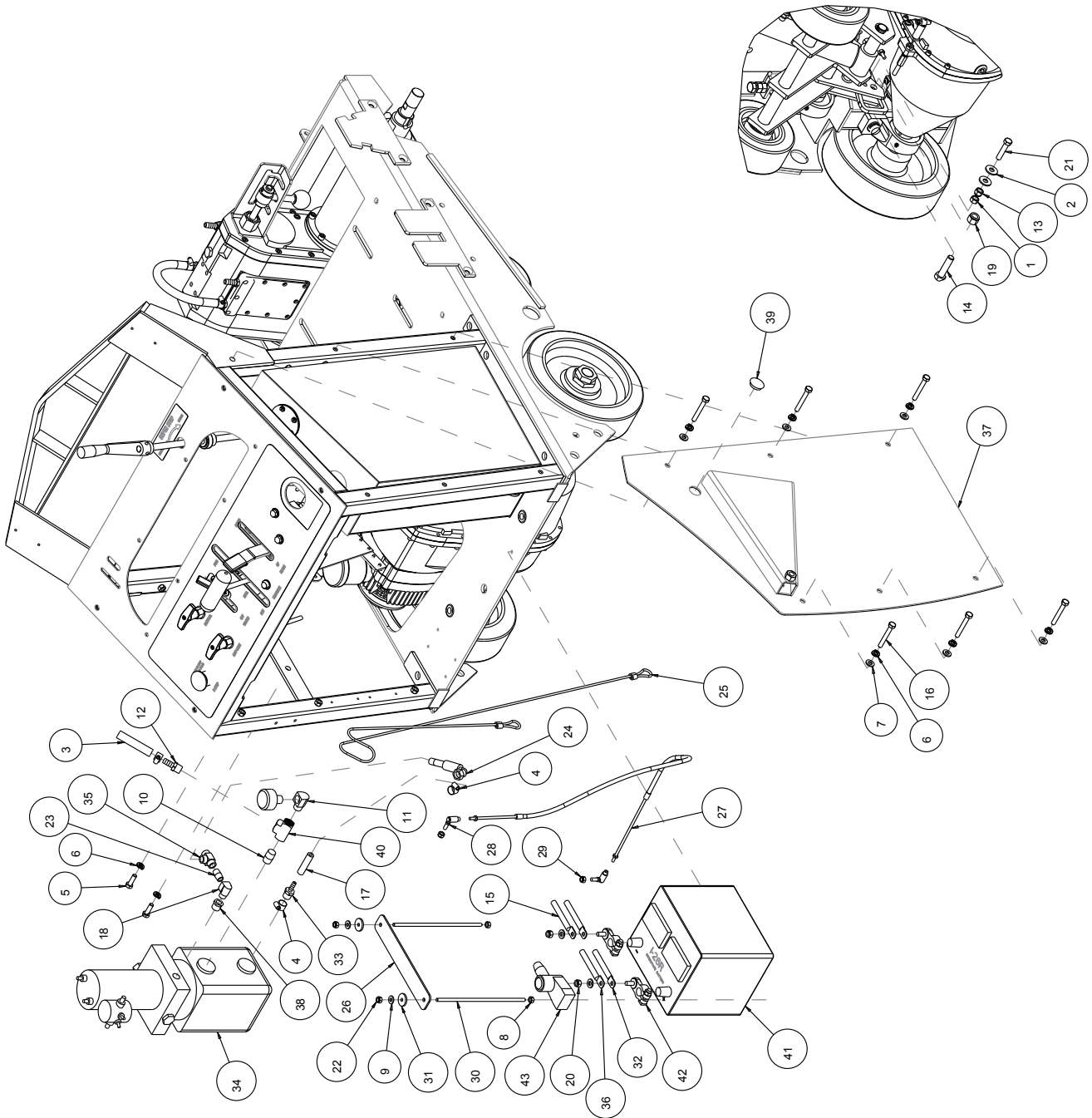
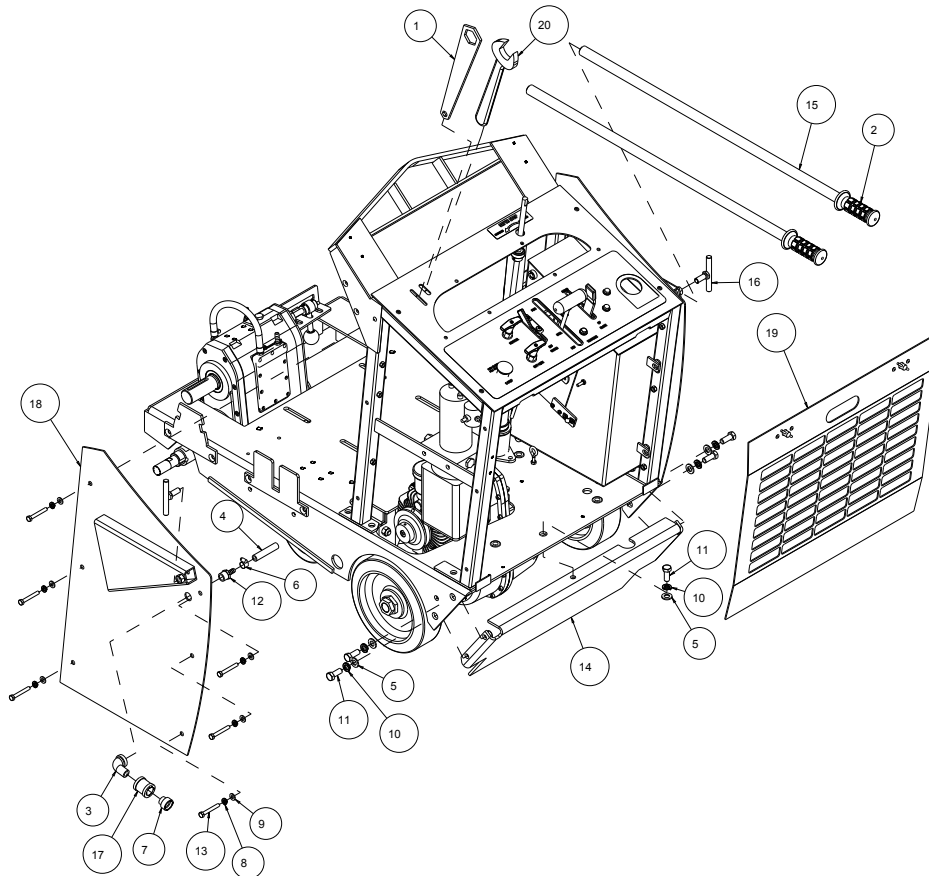


FIGURE 12 - PARTS LIST: ASSY, 4000HYKBG SUB C P/N 168905

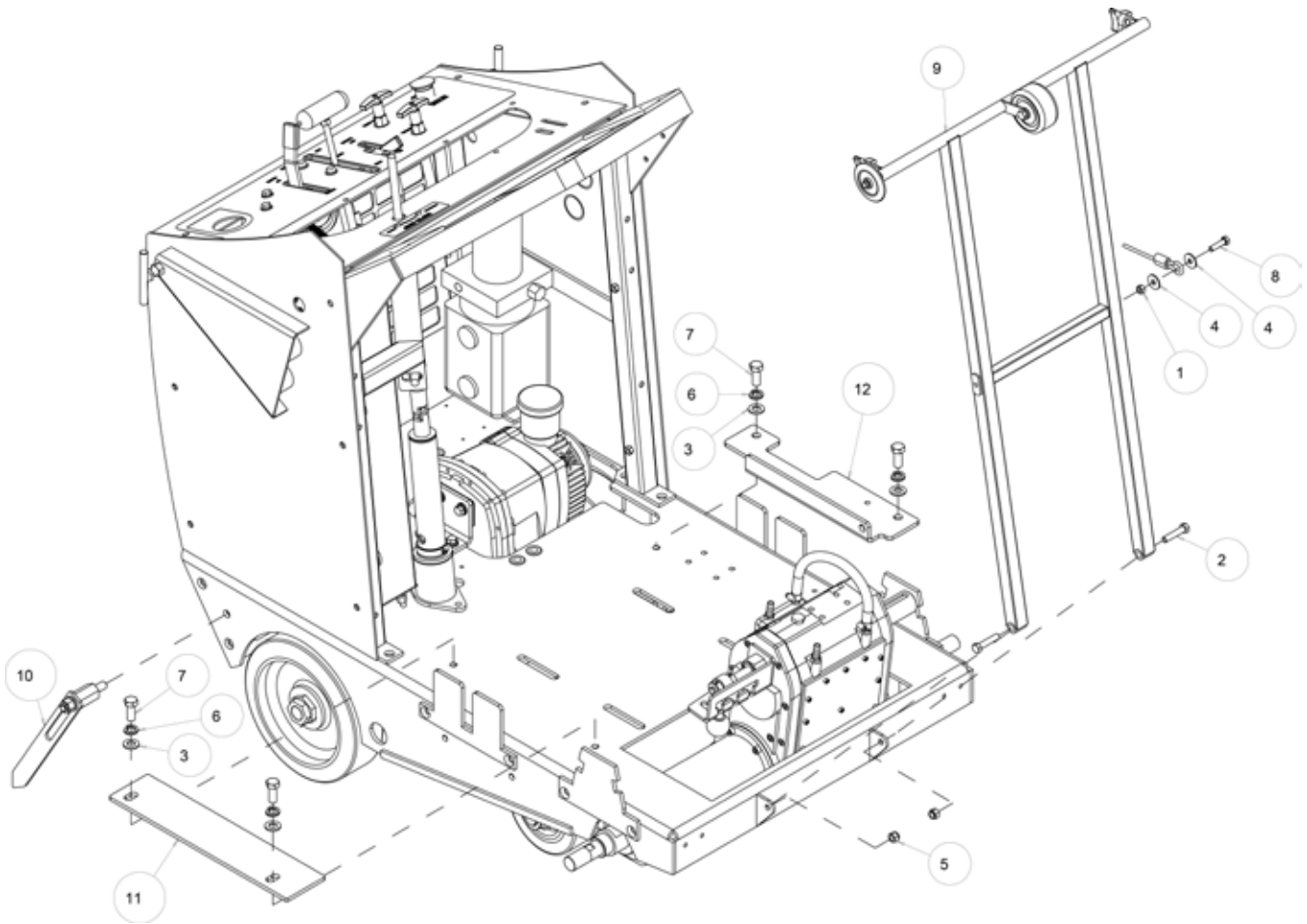
ITEM NO.	DESCRIPTION	PART #	QTY. REQ.
1	NUT, HEX, 5/16 - 18	101188	1
2	WASHER, FLAT, USS, 3/8	101360	2
3	HOSE, 3/8 X 5/8 VINYL, 60"	150845	1
4	CLAMP, HOSE, 5.8	151198	2
5	SCREW, HEX HD, 5/16 - 18 X 1	151743	2
6	WASHER, LOCK, SPLIT, 5/16	151747	8
7	WASHER, FLAT, SAE, 5/16	151754	6
8	NUT, HEX, 1/4 - 20	151893	2
9	WASHER, FLAT, SAE, 1/4	151915	2
10	NIPPLE, 3/8" MNPT CLOSE	152073	1
11	ELBOW, STREET, 3/8 NPT X 90, BRASS	152074	1
12	FITTING, 3/8 MNPT X 3/8 BARB	152076	1
13	NUT, HEX, NYLK, 3.8 -16	152505	1
14	SCREW, HEX, 1/2 - 13 X 2	153533	1
15	CABLE, 4GA X 24 BLACK BATTERY	153849	2
16	SCREW, HEX, 5/16 - 18 X 2 /14	153951	6
17	HOSE, 1/4 FUEL, 36" LONG	154163	1
18	ELBOW, 1/4MNPT STREET	154615	1
19	NUT, 1/2 - 13 NYLOK HEX	155162	1
20	NUT, HEX, NYLK, 1/4 - 20	159857	2
21	SCREW, 3/8 - 18 X 1-3/4 HEX HD	158398	1
22	NUT, HEX, NYLK, 1/4 - 20	159857	2
23	NIPPLE, 1/4 NPT X CLOSE, BRASS	159905	1
24	HOSE, 1/4 NPT X 9/16JIC90 HYD	162600	1
25	CABLE, TRANS CONTROL	162628	1
26	BRACKET, BATTERY HOLDDOWN	162647	1
27	CABLE, TRANS CONTROL	162858	1
28	BALL JOINT, 30 SERIES	162859	2
29	NUT, HEX, NYLK, 1/4 - 28	163936	2
30	STUD, 1/4 - 20 X 8	164212	2
31	WASHER, 1/4 RUBBER FENDER	164593	2
32	CABLE, 4GA X 52 RED BATTERY	166050	1
33	FITTING, 3/8 MNPT X 1/4 BARB, BRASS	167239	1
34	PUMP, HYDRAULIC	167271	1
35	FITTING, TEE, 1/4 FNPT, BRASS	167272	1
36	CABLE, 4GA X 20 RED BATTERY	167273	1
37	PANEL, TOWER R/H	167284	1
38	FITTING, 3/8 MNPT X 1/4 FNPT	167506	1
39	PLUG, HOLE PLASTIC 1.0"	167941	1
40	TEE, 3/8 NPT, BRASS	170387	1
41	BATTERY, 12 VOLT 90 AMP-HOUR	170458	1
42	TERMINAL, BATTERY, MARINE POST	170459	2
43	INSULATOR, BATTERY TERM , MARINE	170460	1

FIGURE 13 - PARTS LIST: ASSY, MK-4400HY/KB SUB D P/N 168905



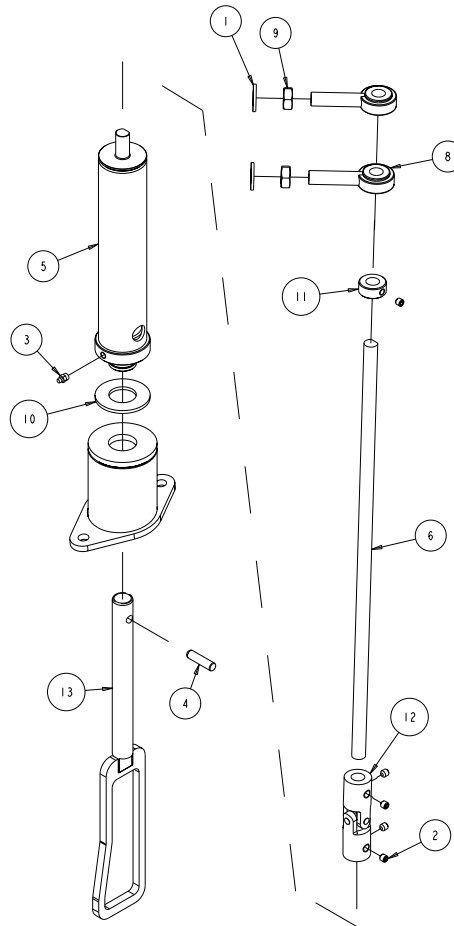
ITEM NO.	DESCRIPTION	PART #	QTY. REQ.
1	WRENCH, BOX END, 1 - 1/2 X 9/16	137976	1
2	GRIP, HANDLE, 1.0 ID	150842	2
3	ELBOW, 1/2 MNPT 90 STREET, GALV	150844	1
4	HOSE, 3/8 X 5/8 VINYL, 18"	150845	1
5	WASHER, 1/2 SAE FLAT	150924	5
6	CLAMP, HOSE, 5.8	151198	2
7	FITTING, 1/2 MNPT X 3/4 FNR	151322	1
8	WASHER, LOCK, SPLIT, 5/16	151747	6
9	WASHER, FLAT, SAE, 5/16	151754	6
10	WASHER, 1/2 SPLIT LOCK	153524	5
11	SCREW 1.2 - 13 X 1 -1/4 HEX HEAD CAP	153532	5
12	FITTING, 1/2 MNPT X 3.8 BARB	153653	1
13	SCREW, HEX, 5/16 - 18 C 2 -1/4	153951	6
14	PLATE, REAR FRAME	161106	1
15	HANDELBAR	161158	2
16	KNOB, 1/2 - 13 T-HANDLE	162635	2
17	FITTING, 1/2 NPT COUPLER	164208	1
18	PANEL, TOWER L/G	167285	1
19	ASSY, BACK PANEL, LATCHING	167505	1
20	WRENCH, 1 - 3/8 OPEN END	168750	1

FIGURE 14 - PARTS LIST: ASSY, MK-4400HY/KB SUB E P/N 168905



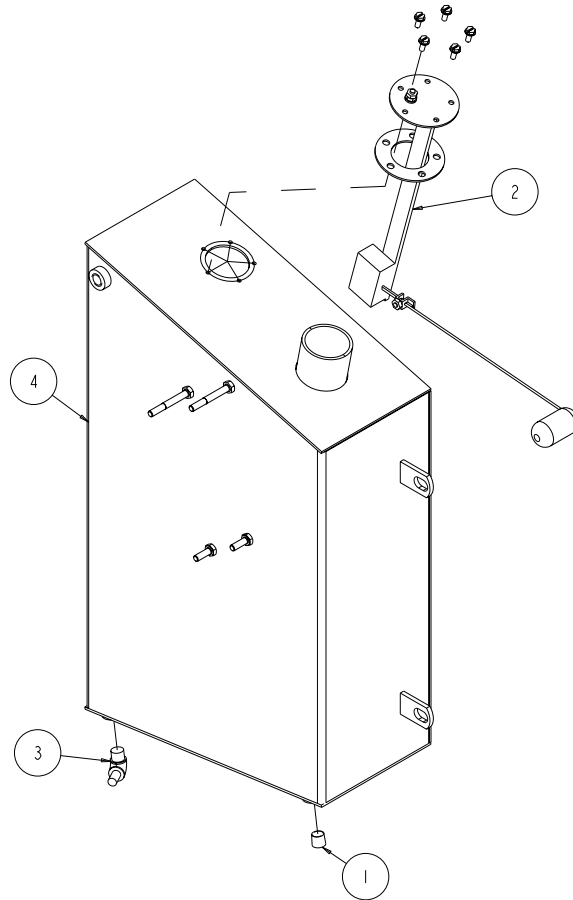
ITEM NO.	DESCRIPTION	PART #	QTY. REQ.
1	NUT, HEX, 5/16 - 18	101196	1
2	SCREW, HEX HD, 3/8 - 16 X 1 - 3/4	150920	2
3	WASHER, 1/2 SAE FLAT	150924	4
4	WASHER, FENDER, 5/16 X 1.0	151053	2
5	NUT, HEX, NYLK, 3/8 - 16	152505	2
6	WASHER, 1/2 SPLIT LOCK	153524	4
7	SCREW, 1/2 - 13 X 1 -1/4 HEX HEAD MACHINE	153532	4
8	SCREW, 5/16 - 18 X 1 -1/4 HEX HEAD MACHINE	153950	1
9	ASSY, POINTER, FRONT	160931	1
10	ASSY, REAR POINTER	163824	1
11	BRACKET, ENGINE GUIDE, RIGHT	167242	1
12	BRACKET, ENGINE GUIDE, LEFT	167243	1

FIGURE 15 - PARTS LIST: ASSY, DEPTH STOP P/N 165710



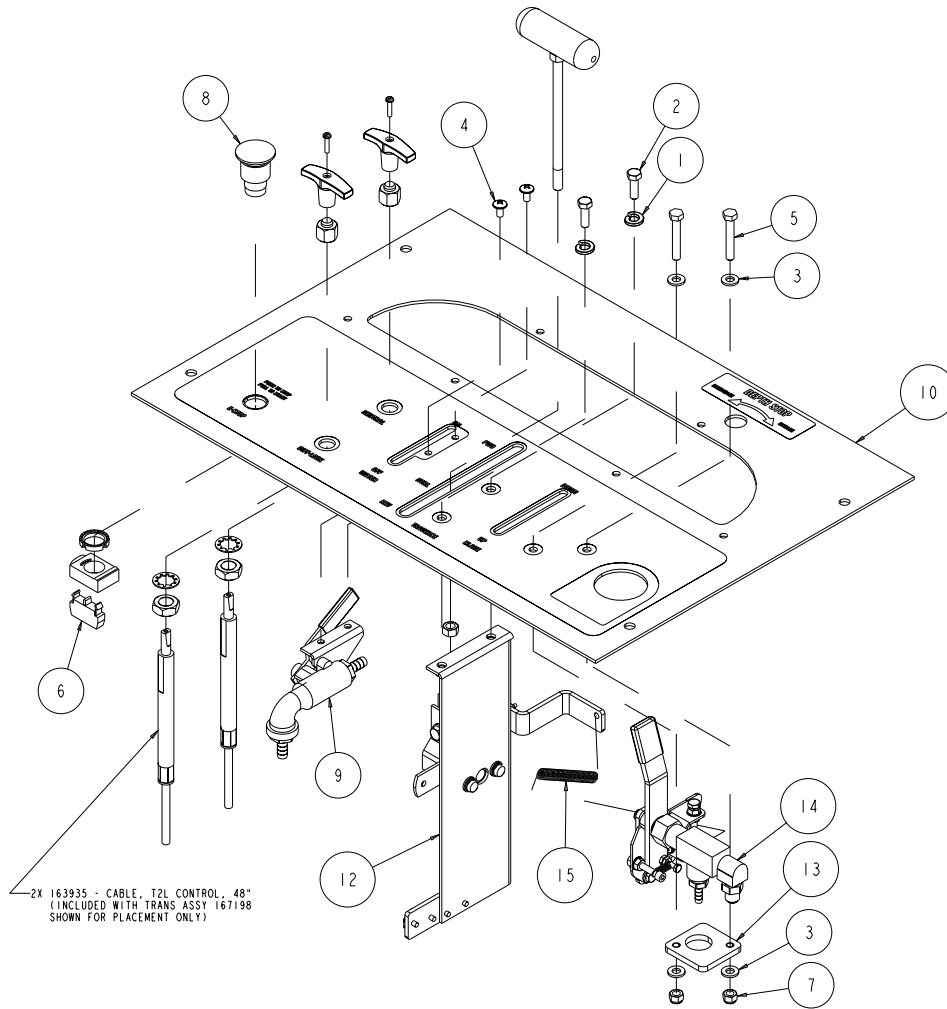
ITEM NO.	DESCRIPTION	PART OR IDENTIFYING NO.	QTY. REQ.
1	WASHER, 1/2 SAE FLAT	150924	2
2	SCREW, 5/16 - 18 X 1/2 SOCKET HEAD SET	152607	4
3	FITTING, 1/4 - 28 GREASE	153852	1
4	PIN, 5/16 X 1-1/4 GROOVE	160458	1
5	TUBE, DEPTH STOP	161138	1
6	ARM, DEPTH STOP LINKAGE	161156	1
7	CUP, DEPTH STOP	162582	1
8	ROD END, 1/2" BALL JOINT	162583	2
9	NUT, 1/2 - 20 HEX	162586	2
10	BEARING, 1 X 2 X 1/8 BRONZE THRUST	162623	1
11	COLLAR, SHAFT, 1/2	162633	1
12	U-JOINT, 1.0 OD X 0.5 ID (COMP)	163988	1
13	SCREW, DEPTH STOP	165708	1

FIGURE 16 - PARTS LIST: ASSY, FUEL TANK P/N 167210



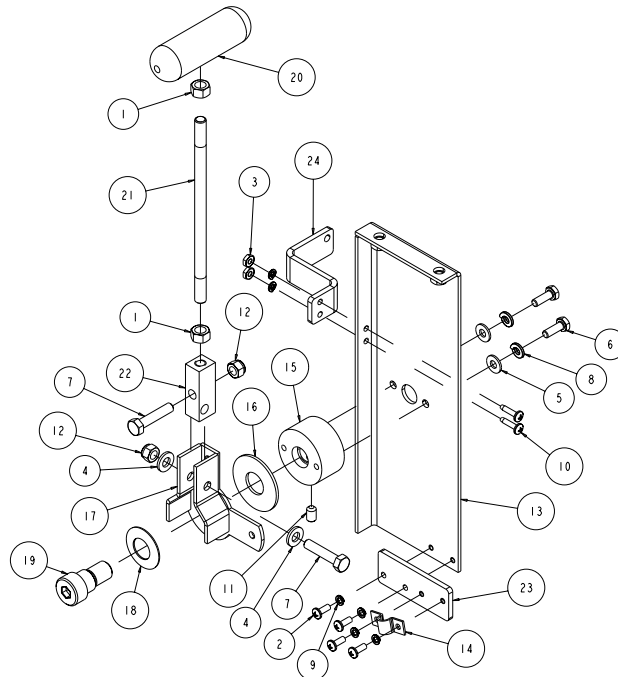
ITEM NO.	DESCRIPTION	PART OR IDENTIFYING NO.	QTY. REQ.
1	PLUG, 1/4NPT HEX SOCKET	154679	1
2	SENDER, FUEL	162636	1
3	ELBOW, 1/4MNPT X 5/16BARB, BRASS	164278	1
4	TANK, FUEL	167211	1

FIGURE 17 - PARTS LIST: ASSY, CONTROL PANEL, P/N 167215



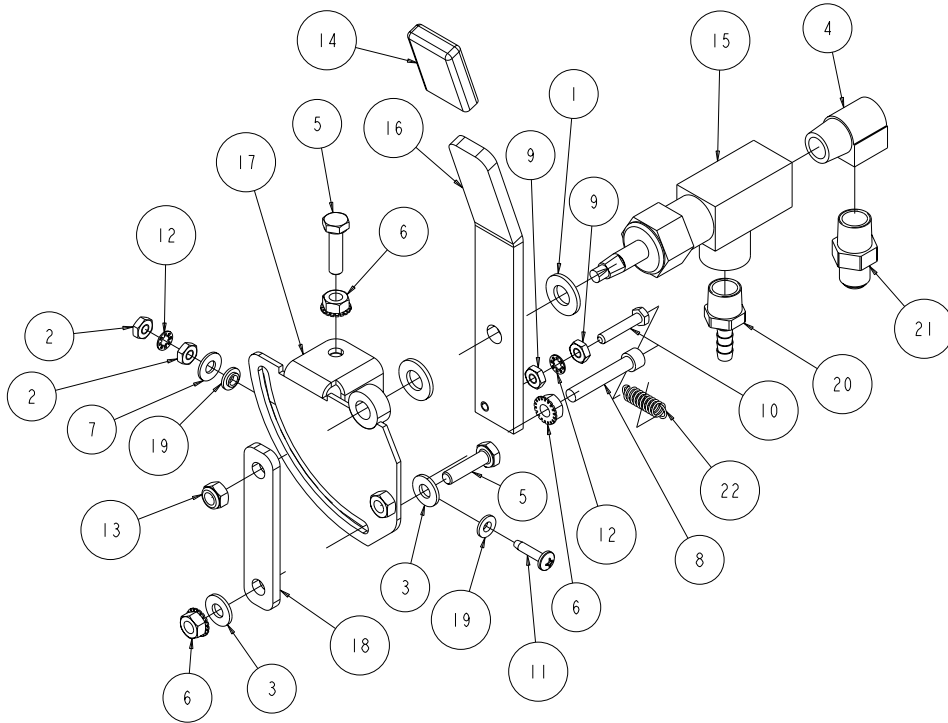
ITEM NO.	DESCRIPTION	PART OR IDENTIFYING NO.	QTY. REQ.
1	WASHER, 3/8 SPLIT LOCK	2	150925
2	SCREW, 5/16-18 X 1 HEX HEAD MACHINE	2	151743
3	WASHER, 5/16 SAE FLAT	4	151744
4	SCREW, 1/4-20 X 1/2 TRUSS HEAD	2	153880
5	SCREW, 5/16-18 X 2 HEX HEAD	2	155494
6	CONTACTS, NC	1	156204
7	NUT, 5/16-18 NYLOK HEX	2	158289
8	ASSY, SWITCH BUTTON, GAS	1	162080
9	ASSY, WATER VALVE	1	164161
10	PANEL, CONTROL	1	167217
11	LABEL, SET, CONTROL PANEL	1	167218
12	ASSY, CONTROLHEAD, FNR	1	167226
13	PLATE, UP/DOWN CONTROL MOUNT	1	167232
14	ASSY, UP/DOWN CONTROL	1	167233
15	SPRING, EXT, 7/160D X .048WD X 3.0L	1	167270

FIGURE 18 - PARTS LIST: ASSY, CONTROLHEAD, FNT SUB P/N 167226



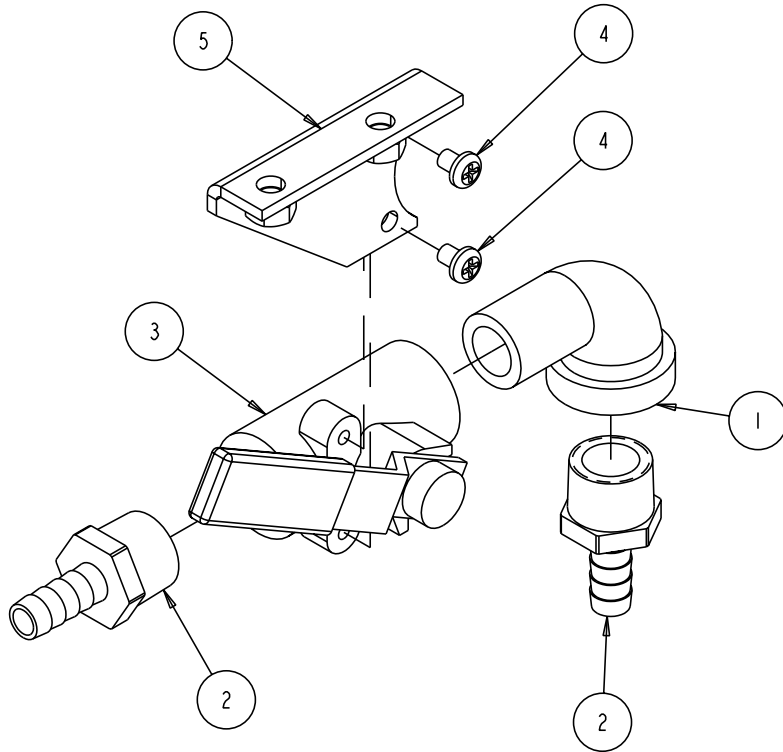
ITEM NO.	DESCRIPTION	PART OR IDENTIFYING NO.	QTY. REQ.
1	NUT, 3/8-16 HEX	2	101188
2	SCREW, 10-24 X 1/2 PAN HEAD PHILLIPS MACHINE	4	151744
3	NUT, 10-24 HEX	2	151749
4	WASHER, 5/16 SAE FLAT	2	151754
5	WASHER, 1/4 SAE FLAT	2	151915
6	SCREW, 1/4-20 X 3/4 HEX HEAD MACHINE	2	152370
7	SCREW, 5/16-18 X 1-1/2 HEX HEAD MACHINE	2	152467
8	WASHER, 1/4 SPLIT LOCK	2	152591
9	WASHER, #10 SPLIT LOCK	6	153684
10	SCREW, PAN HD PHIL MS 10-24X3/4	2	156641
11	SCREW, 5/16 - 18 X 3/8 SOCKET HEAD SET	1	157084
12	NUT, 5/16-18 NYLOK HEX	2	158289
13	BRACKET, FNR CONTROL	1	162634
14	CLAMP, 30 SERIES CONDUIT	1	162860
15	JOURNAL, FNR CONTROL	1	162889
16	WASHER, 2.0 X .812 X .088 NYLON	1	162890
17	BRACKET, FNR PIVOT	1	162891
18	SPRING, 1.50 X .755 X .045, DISK	1	162892
19	SCREW, 3/4 X 1/2 SOCKET HEAD SHOULDER	1	162893
20	HANDLE, FNR GRIP	1	167227
21	BAR, FNR HANDLE	1	167228
22	BLOCK, FNR HANDLE	1	167229
23	PLATE, FNR CABLE	1	167230
24	BRACKET, FNR SPRING	1	167231

FIGURE 19 - PARTS LIST: ASSY, UP/DOWN CONTROL P/N 167233



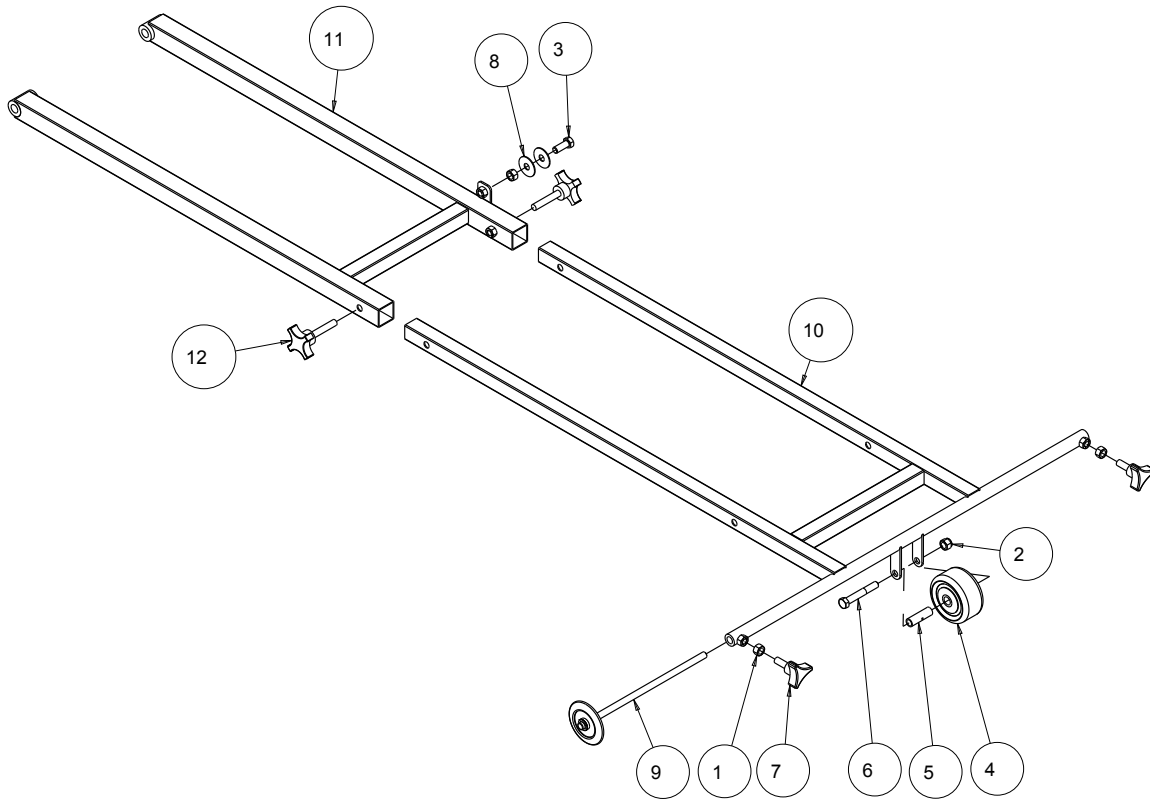
ITEM NO.	DESCRIPTION	PART #	QTY. REQ.
1	WASHER, 3/8 SAE FLAT	150923	2
2	NUT, 10-24 HEX	151749	2
3	WASHER, 1/4 SAE FLAT	151915	2
4	ELBOW, 3/8 NPT STREET	152074	1
5	SCREW, HEX HD CAP, 1/4-20 X 1	152676	2
6	NUT, HEX W/WSHR, 1/4-20	153941	3
7	WASHER, #10 SAE FLAT	154369	1
8	SCREW , SOC HD CAP, 1/4- 20 X 1	154683	1
9	NUT, HEX 10-32	156269	2
10	SCREW, 10-32 X 1 HEX HEAD CAP	156270	1
11	SCREW, PAN HD PHIL MS 10-24X3/4	156641	1
12	WASHER #10, INTERNAL TEETH	158336	2
13	NUT, HEX, NYLK, 1/4-28	163936	1
14	CAP, PUSH-ON, VINYL, 1 X 1/4	167216	1
15	VALVE, 3/8 ANGLE NEEDLE	167234	1
16	HANDLE, UP/DOWN CONTROL	167235	1
17	PLATE, UP/DOWN ADJ	167236	1
18	ARM, DEPTH CONTROL ADJ	167237	1
19	WASHER, 5/16 FLANGED PLASTIC	167238	2
20	FITTING, 3/8 MNPT X 1/4 BARB, BRASS	167239	1
21	FITTING, 3/8 NPT X 3/8 JIC	167240	1
22	SPRING, EXT, .300D X .037WD X 3/4L	167241	1

FIGURE 20 - PARTS LIST: ASSY, WATER VALVE P/N 164161



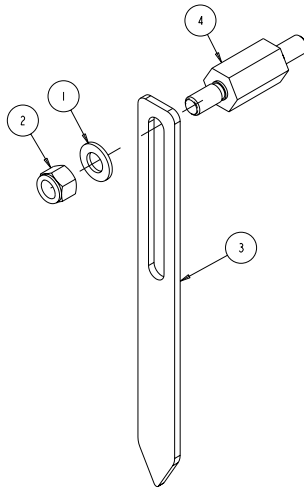
ITEM NO.	DESCRIPTION	PART #	QTY. REQ.
1	ELBOW, 1/2 MNPT 90 STREET, GALV	1	150848
2	FITTING, 1/2 MNPT X 3/8 BARB	2	153653
3	VALVE, BALL 1/2"	1	153796
4	SCREW, PAN HD PHIL 10-24 X 5/16	2	159494
5	BRACKET, WATER VALVE	1	162650

FIGURE 21 - PARTS LIST: ASSY, POINTER, FRONT P/N 169111



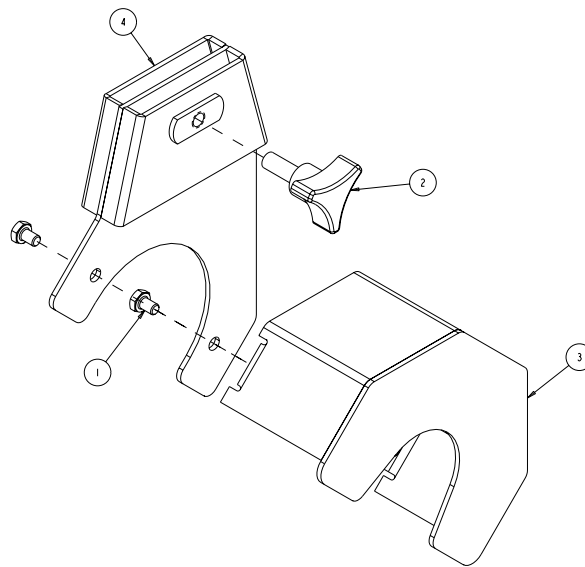
ITEM NO.	DESCRIPTION	PART #	QTY. REQ.
1	NUT, 3/8-16 HEX	101188	2
2	NUT, 3/8-16 NYLOK HEX	152505	1
3	SCREW, HEX HD CAP, 3.8-16 X 1	152507	1
4	WHEEL, POINTER, 3"	155066	1
5	BUSHING, 3/8 ID X 1-5/8L	155153	1
6	SCREW, 3/8-16 X 2-1/2 HEX HEAD CAP	156030	1
7	KNOB, 3 PRONG 3/8-16 X 1	156175	2
8	WASHER, FENDER, 3.8 ID X 1-1/2 OD	163269	2
9	ASSY, POINTER WHEEL	165238	1
10	POINTER ARM, UPPER	169112	1
11	POINTER ARM, LOWER	169113	1
12	KNOB, 4 PRONG 3/8 - 16 X 2	169114	2

FIGURE 22 - PARTS LIST: ASSY, REAR POINTER P/N 163824



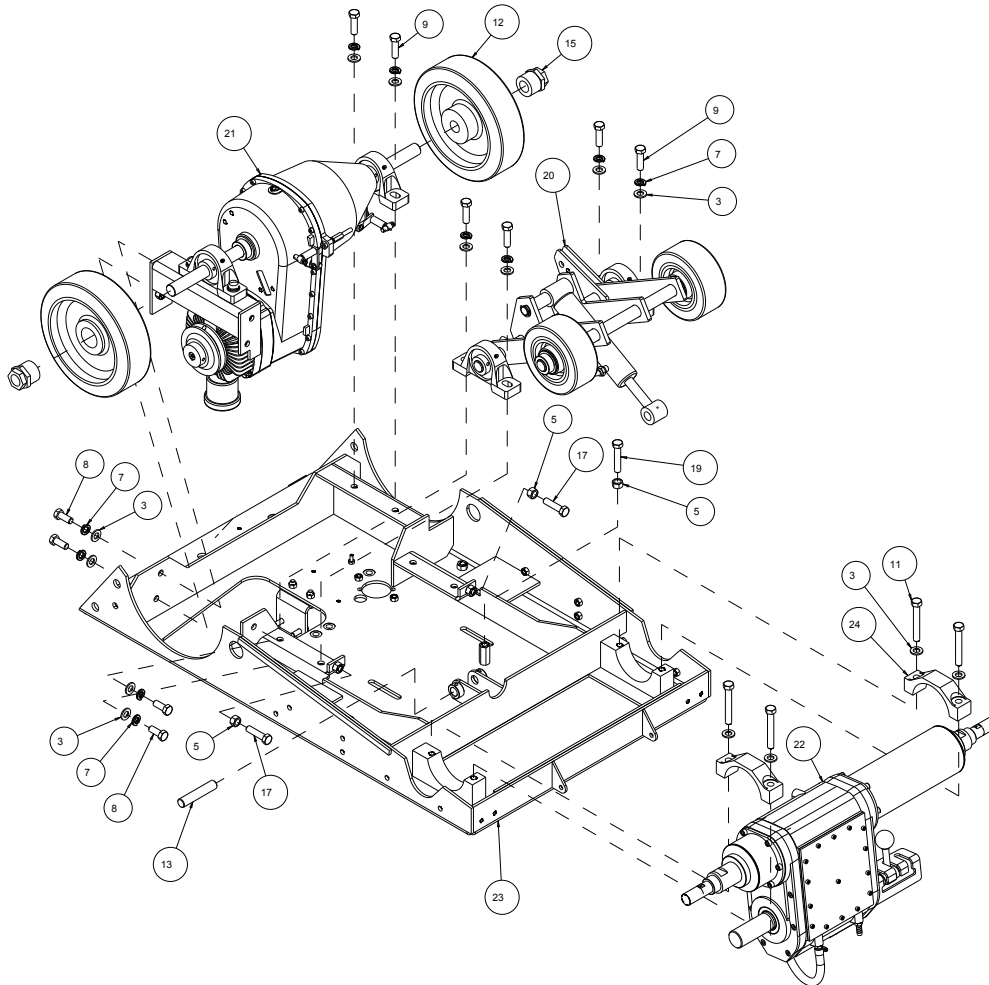
ITEM NO.	DESCRIPTION	PART #	QTY. REQ.
1	WASHER, 1/2 SAE FLAT	150924	1
2	NUT, 1/2 - 13 NYLOK HEX	155162	1
3	ARM, REAR POINTER	160951	1
4	STANDOFF, REAR POINTER	163825	1

FIGURE 23 - PARTS LIST: ASSY, SHAFT GUARD P/N 166056



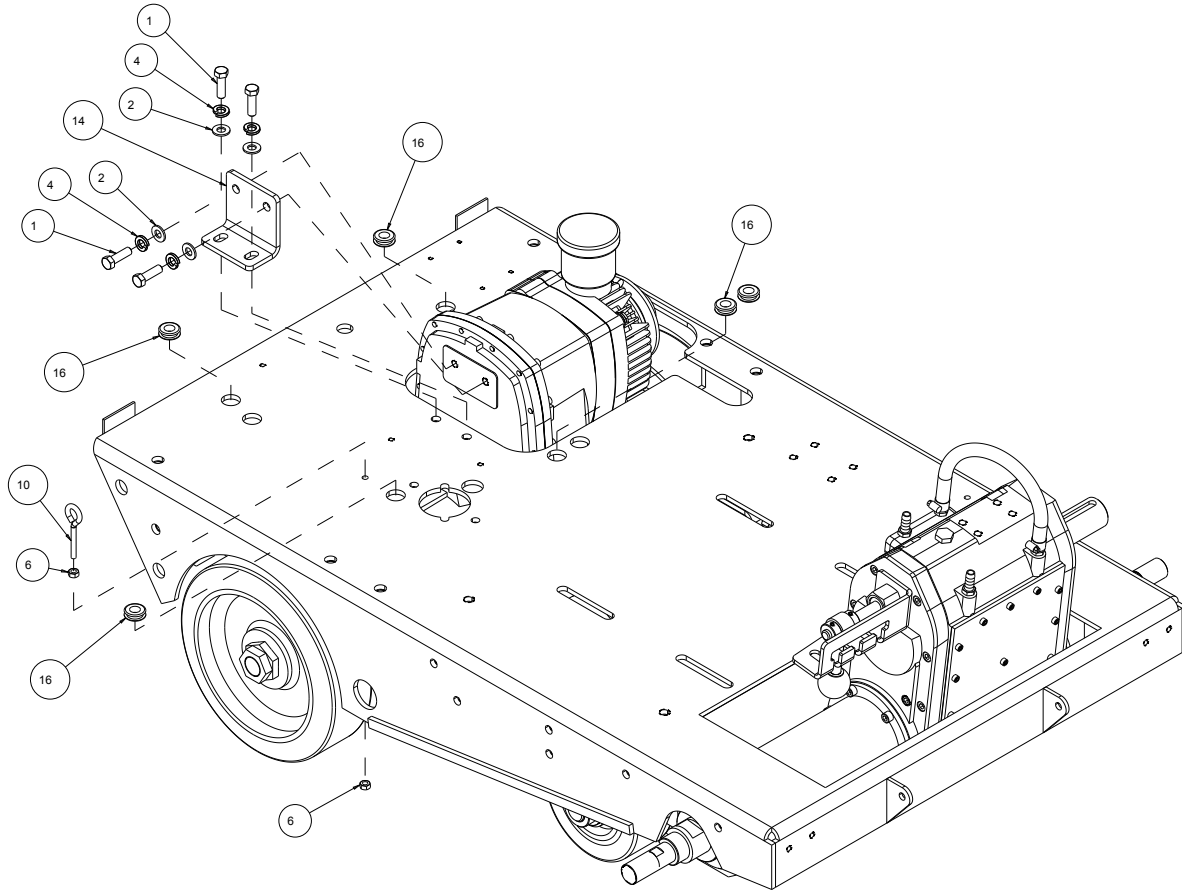
ITEM NO.	DESCRIPTION	PART #	QTY. REQ.
1	SCREW, HEX HD 1/4 - 20 X 3/8	153526	2
2	KNOB, 3 PRONG 3/8 - 16 X 1	156175	1
3	GUARD, SHAFT	161109	1
4	BACK PLATE, SHAFT GUARD	166057	1

FIGURE 24 - PARTS LIST: ASSY, FRAME SUB P/N 168904



ITEM NO.	DESCRIPTION	PART #	QTY. REQ.
1	SCREW, 3/8 - 16 X 1 -1/4 HEX HEAD CAP	150774	4
2	WASHER, FLAT, SAE, 3/8	150923	4
3	WASHER, 1/2 SAE FLAT	150924	14
4	WASHER, LOCK, SPLIT, 3/8	150925	4
5	NUT, 1/2 - 13 HEX	151282	3
6	NUT, HEX, 1/4 - 20	151893	2
7	WASHER, 1/2 SPLIT LOCK	153524	10
8	SCREW, 1/2 - 13 X 1 -1/4 HEX HEAD CAP	153532	4
9	SCREW, 1/2 - 13 X 1 -3/4 HEX HEAD CAP	153853	6
10	EYEBOLT, 1/4 - 20 X 2	153887	1
11	SCREW, HEX HD, TAP, 1/2 - 13 X 3 - 1/2	158284	4
12	WHEEL, 10 X 3 REAR	160960	2
13	PIN, Ø 3/4 X 3-1/2 13 X 3 - 1/2 CLEVIS	161164	1
14	BRACKET, TRANSMISSION	161240	1

FIGURE 24 - PARTS LIST: ASSY, FRAME SUB P/N 168904



ITEM NO.	DESCRIPTION	PART #	QTY. REQ.
15	BUSHING, 1" KEYLESS HUB	161244	2
16	GROMMET, 1/2 X 1.0	162493	4
17	BOLT, 1/2 - 13 X 2.0 HEX HEAD TAP	162598	2
18	GREASE, MOBIL XHP222, 2 OX.	162604	1
19	BOLT, 1/2 - 13 X 2 - 1/2 HEX HEAD TAP	162605	1
20	ASSY, TRUCK FRT PIVOT	165705	1
21	ASSY, TRANSMISSION	167198	1
22	ASSY, GEARBOX, 3-SPEED	167699	1
23	FRAME, WELDMENT MAIN	168899	1
24	CAP, GEARBOX MOUNT	169456	2

FIGURE 25 - PARTS LIST: ASSY, GEARBOX P/N 167699

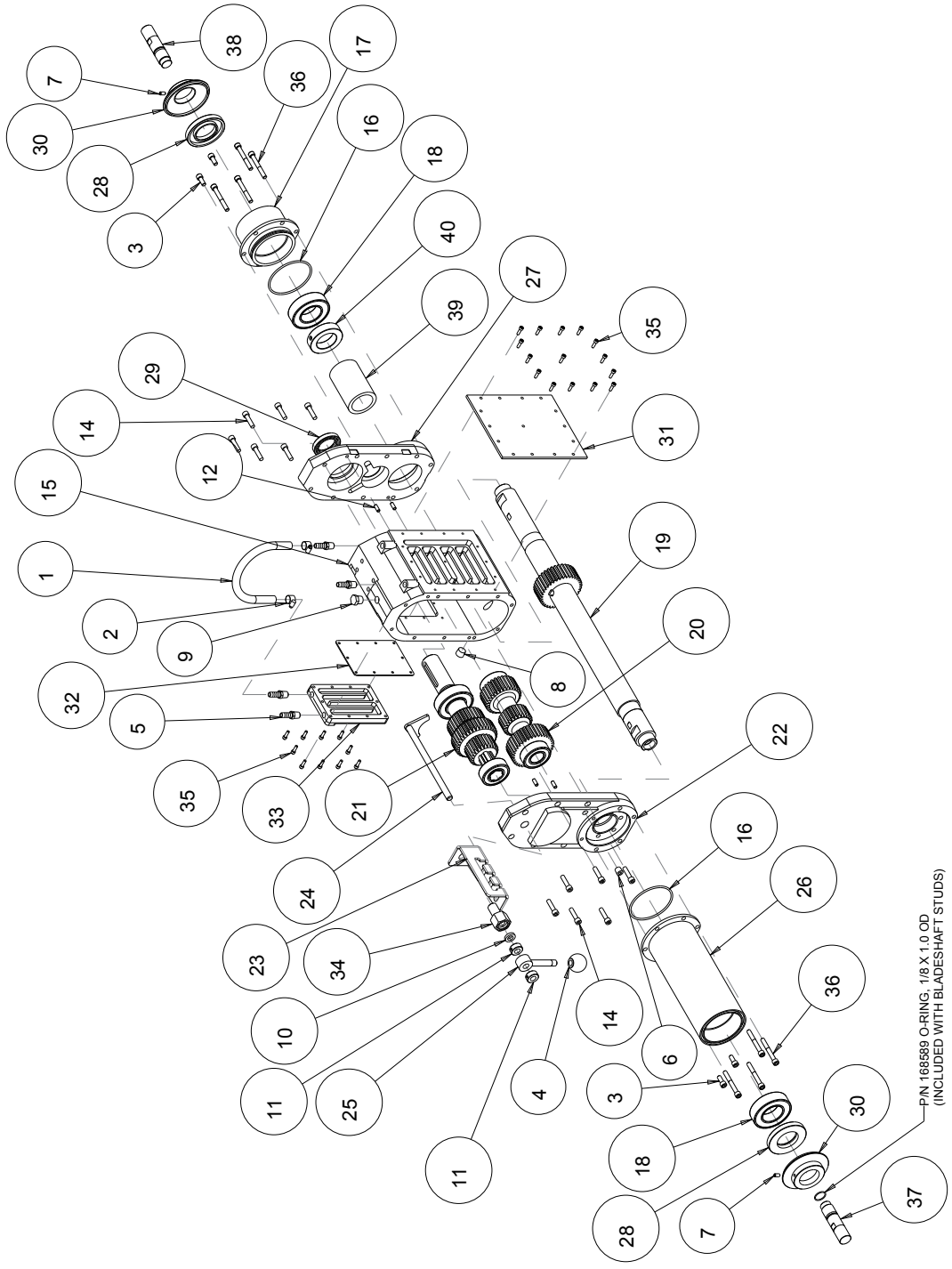
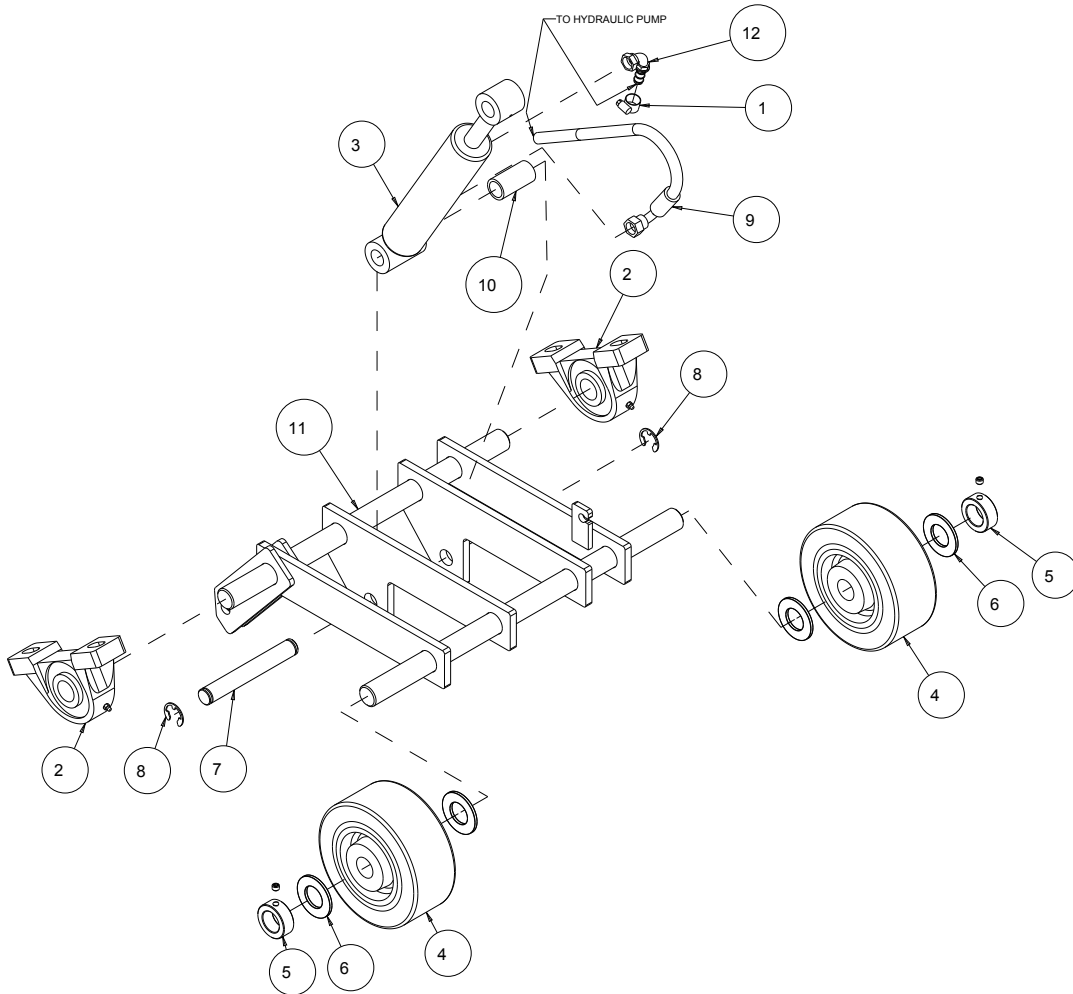


FIGURE 25 - PARTS LIST: ASSY, GEARBOX P/N 167699

ITEM NO.	DESCRIPTION	PART #	QTY. REQ.
1	HOSE, 3/8 X 5/8 VINYL, 12"	150845	1
2	CLAMP, 5/8 HOSE	151198	2
3	SCREW, SOC HD, 5/16 - 18 X 3/4	152444	4
4	KNOB, 1/2 - 20 FEM BALL	154486	1
5	FITTING, 1/4 MNPT X 3/8 BARB	154659	4
6	PLUG, 1/4NPT HEX SOCKET	154679	1
7	SCREW, 1/4 - 20 X 1/2 SOCKET HEAD SET	155804	2
8	PLUG, 3/8NPT HEX SOCKET, GALV	161208	1
9	PLUG, 3/8NPT BRONZE BREATHER	161209	1
10	SEAL, OIL, 1/2 X 7/8 X 3/16	161270	1
11	COLLAR, SHAFT, 1/2	162633	2
12	PIN, 1/4 X 5/8 DOWEL	162849	4
13	SEALANT, HI-TEMP FORM - A - GASKET	164972	1
14	SCREW, 5/16 - 18 X 1-1/2 SOCKET HEAD CAP	165243	12
15	CASTING, GEARBOX MAIN, COMP	167701	1
16	O-RING, 1/8 X 3-1/2OD	167702	2
17	HOUSING, SHAFT, LHS, 3S - GBX	167703	1
18	BEARING, SPHERICAL ROLLER, 40 X 80 X 23	167704	2
19	ASSY, GEARED BLADE SHAFT	167706	1
20	ASSY, GEARED IDLER SHAFT	167711	1
21	ASSY, GEARED INPUT SHAFT	167714	1
22	CASTING, END, 3S - GBX, COMP	167722	1
23	BRACKET, SHIFTER, 3S - GBX	167724	1
24	FORK, SHIFT, 3S - GBX	167725	1
25	LEVER, SHIFT, 3S - GBX	167726	1
26	HOUSING, SHAFT, LONG	167727	1
27	CASTING, LH END, 3S - GBX, COMP	167730	1
28	SEAL, OIL, 45MM X 85MM	167735	2
29	SEAL, OIL, 45MM X 80MM	167736	1
30	SHIELD, BEARING CONE	167739	2
31	PLATE, FRONT, GEARBOX - COMP	167744	1
32	PLATE, GEARBOX BACK	167745	1
33	CASTING, GEARBOX BACK, COMP	167747	1
34	BUSHING, SHIFTER FORK	167748	1
35	SCREW, SOC HD, 10 - 24 X 5/8	167758	25
36	SCREW, SOC HD, 5/16 - 18 X 2 - 1/4	167760	8
37	STUD, BLADESHAFT, LH THREAD	168587	1
38	STUD, BLADESHAFT, RH THREAD	168588	1
39	SPACER, GEAR BEARING	169770	1
40	COLLAR, SHAFT, 45MM	169771	1

FIGURE 26 - PARTS LIST: ASSY, TRUCK, FRT PIVOT P/N 165705



ITEM NO.	DESCRIPTION	PART OR IDENTIFYING NO.	QTY. REQ.
1	CLAMP, HORSE, 5/8	151198	1
2	BEARING, 1.0 ID PILLOW BLOCK	157924	2
3	CYLINDER, 4" HYDRAULIC	160846	1
4	WHEEL, 6 X 2-1/2 X I	160848	2
5	COLLAR, 1.0 SHAFT	160849	2
6	WASHER, 1 SAE FLAT	160851	4
7	PIN, Ø3/4 X 5 CLEVIS	160961	1
8	RING, .75 E-STYLE RETAINING	161163	2
9	HOSE, 1/4NPT X 9/16JIC90 HYD	162600	1
10	SPACER, 1.0 X .75 X 1.94	164046	1
11	TRUCK, FRONT PIVOT	165704	1
12	ELBOW, 3/8 FJIC X 3/8 BARB	170388	1

FIGURE 27 - PARTS LIST: ASSY, TRANSMISSION P/N 167198

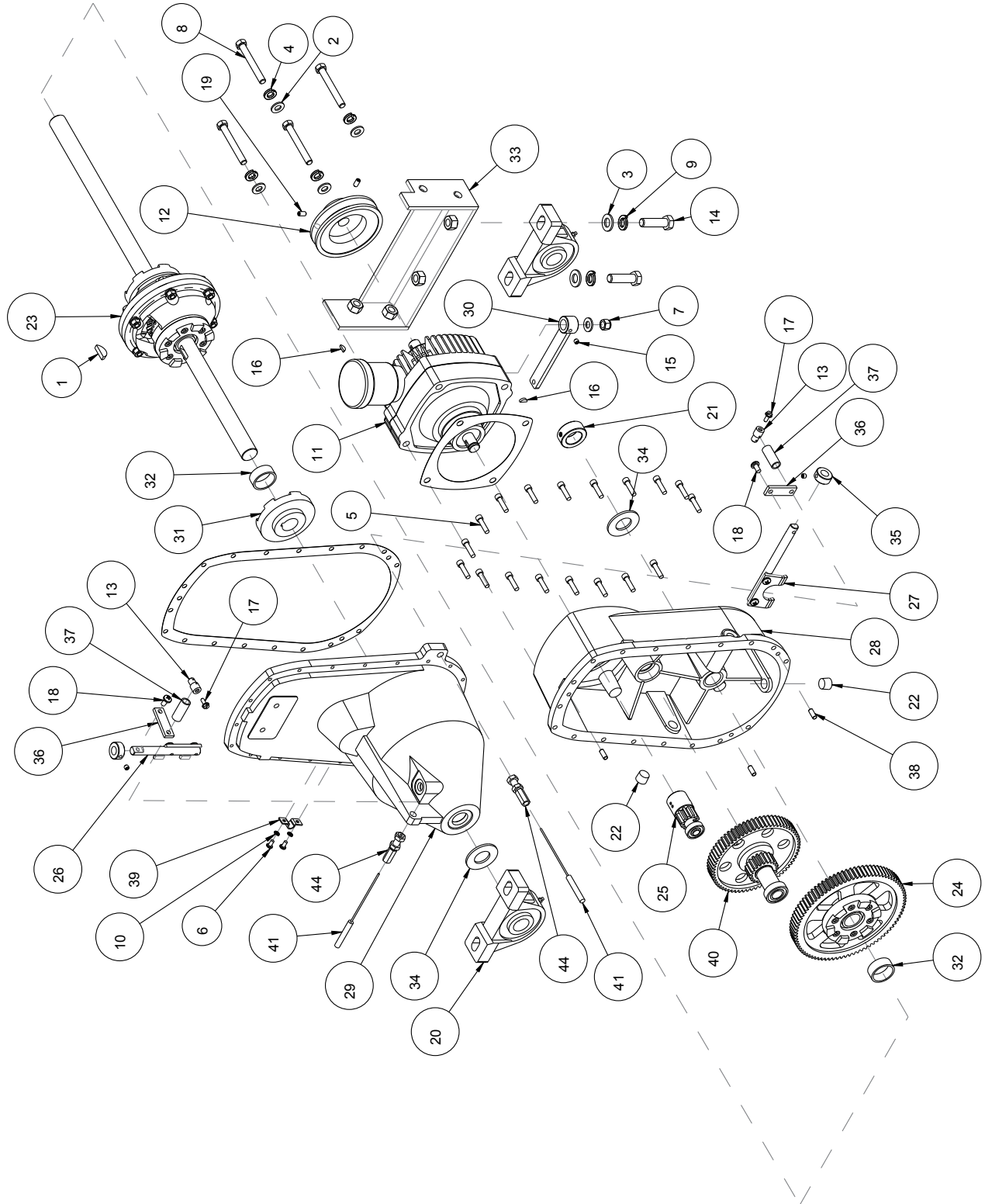


FIGURE 28 - PARTS LIST: ASSY, TRANSMISSION P/N 167198

ITEM NO.	DESCRIPTION	PART	QTY. REQ.
1	KEY, 1/4 X 1 WOODRUFF	150795	1
2	WASHER, 3/8 SAE FLAT	150923	5
3	WASHER, 1/2 SAE FLAT	150924	2
4	WASHER, 3/8 SPLIT LOCK	150925	4
5	SCREW, SOC HD CAP, 1/4-20 X 1	151049	18
6	SCREW, 10-24 X 3/8 PAN HEAD PHILLIPS MACHINE	151097	2
7	NUT, 3/8-16 NYLOK HEX	152505	1
8	SCREW, 3/8-16 X 3 HEX HEAD CAP	153113	4
9	WASHER, 1/2 SPLIT LOCK	153524	2
10	WASHER, #10 SPLIT LOCK	153684	2
11	PUMP, TRANSMISSION	153783	1
12	PULLEY, A4.0 X 17mm BORE OFFSET	153826	1
13	PIN, WIRE STOP	153842	2
14	SCREW, 1/2-13 X 1-3/4 HEX HEAD CAP	153853	2
15	SCREW, SET CNE PT 1/4 -20 X 1/4	153864	1
16	KEY, WOODRUFF, 1/8 X 1/2	153865	2
17	SCREW, HEX HD FL 10-24X 5/16	154172	2
18	SCREW, 1/4-20 X 1/2 PAN HEAD PHILLIPS MACHINE	155452	2
19	SCREW, 1/4-20 X 1/2 SOCKET HEAD SET	155804	2
20	BEARING, 1.0 ID PILLOW BLOCK	157924	2
21	COLLAR, 1.0 SHAFT	160849	1
22	PLUG, 3/8 NPT HEX SOCKET, GALV	161208	2
23	ASSY, DIFFERENTIAL	161232	1
24	ASSY, ENGAGEMENT GEAR	161233	1
25	ASSY, PUMP PINION	161235	1
26	ASSY, TRANS FORK 2	161236	1
27	ASSY, TRANS FORK I	161237	1
28	ASSY, TRANS CASE I	161248	1
29	ASSY, TRANS CASE 2	161250	1
30	LEVER, TRANS CONTROL	161263	1
31	PLATE, LOCKER, KEYED	161264	1
32	SPRING, I .50D X 1.3 COMPRESSION	161279	2
33	BRIDGE, TRANS BEARING	161311	1
34	BEARING, I X 2 X 1/8 BRONZE THRUST	162623	2
35	COLLAR, 1/2 SHAFT	162633	2
36	LEVER, TRANS FORK	162673	2
37	SPRING, .56 OD X 1.38 COMPRESSION	162829	2
38	PIN, 1/4 X 5/8 DOWEL	162849	3
39	CLAMP, 30 SERIES CONDUIT	162860	1
40	ASSY, CHANGE GEAR	162883	1
41	CABLE, T2L CONTROL, L (COMP)	163935	2
42	OIL, 80-90 SAE GEAR	164971	1
43	SEALANT, HI-TEMP FORM-A-GASKET	164972	1
44	FITTING, THROTTLE CABLE END	169042	2
45	GASKET SET, TRANSMISSION	169465	1
46	SEALANT, GASKET, PT #2 (0.5 OZ)	169466	1

FIGURE 30 - PARTS LIST: ASSY, 26" BLADE GUARD P/N 168279-26-WH

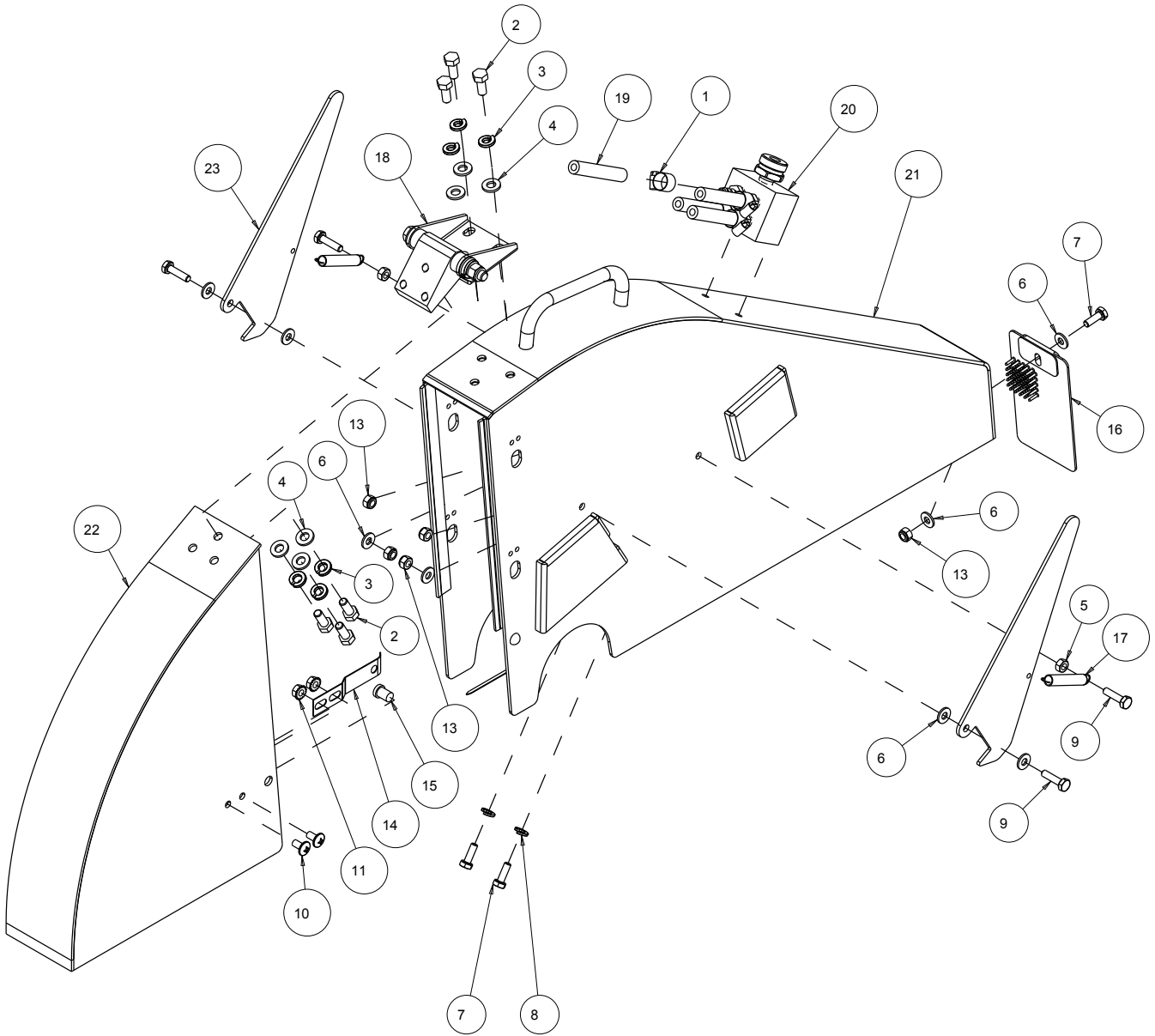
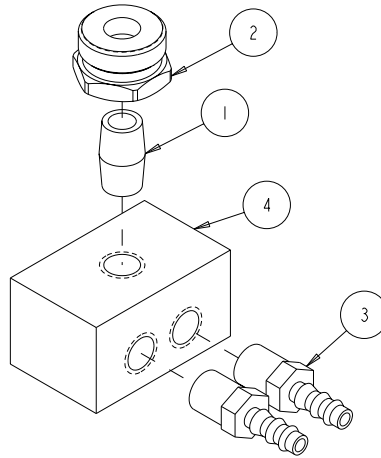


FIGURE 30 - PARTS LIST: ASSY, 26" BLADE GUARD P/N 168279-26-WH

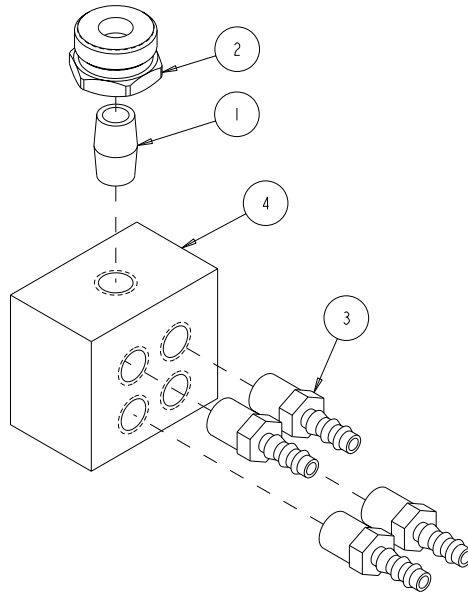
ITEM NO.	DESCRIPTION	PART #	QTY. REQ.
1	CLAMP, 5/8 HOSE	151198	2
2	SCREW, 5/16-18 X 3/4 HEX HEAD MACHINE	151369	6
3	WASHER, LOCK, SPLIT, 5/16	151747	6
4	WASHER, 5/16 SAE FLAT	151754	6
5	NUT, 1/4-20 HEX	151893	2
6	WASHER, 1/4 SAE FLAT	151915	8
7	SCREW, 1/4-20 X 3/4 HEX HEAD MACHINE	152370	3
8	WASHER, 1/4 SPLIT LOCK	152591	2
9	SCREW, HEX HD CAP, 1/4-20 X 1	152676	4
10	SCREW, 1/4-20 X 1/2 TRUSS HEAD	153880	2
11	NUT, HEX W/WSHR, 1/4-20	153941	2
12	TIE, NYLON CABLE, 1/8 X 4, BLACK	158528	4
13	NUT, 1/4-20 NYLOK	159857	5
14	LOCK, BLADE GUARD	159998	1
15	BUTTON, RELEASE	159999	1
16	GUARD, SPLASH	160310	1
17	SPRING, EXTENSION	160875	2
18	ASSY, HINGE	163979	1
19	HOSE, VINYL, 1/4 X 1/2 (24"L)	167620	4
20	ASSY, WATER MANIFOLD, 4T	167625	1
21	GUARD, 26" FRONT BLADE	168277-26-WH	1
22	GUARD, 26" REAR BLADE	168278-26-WH	1
23	LATCH, 26" BLADE GUARD	168280	2

FIGURE 33 - PARTS LIST: ASSY, WATER MANIFOLD, 2T P/N 167624



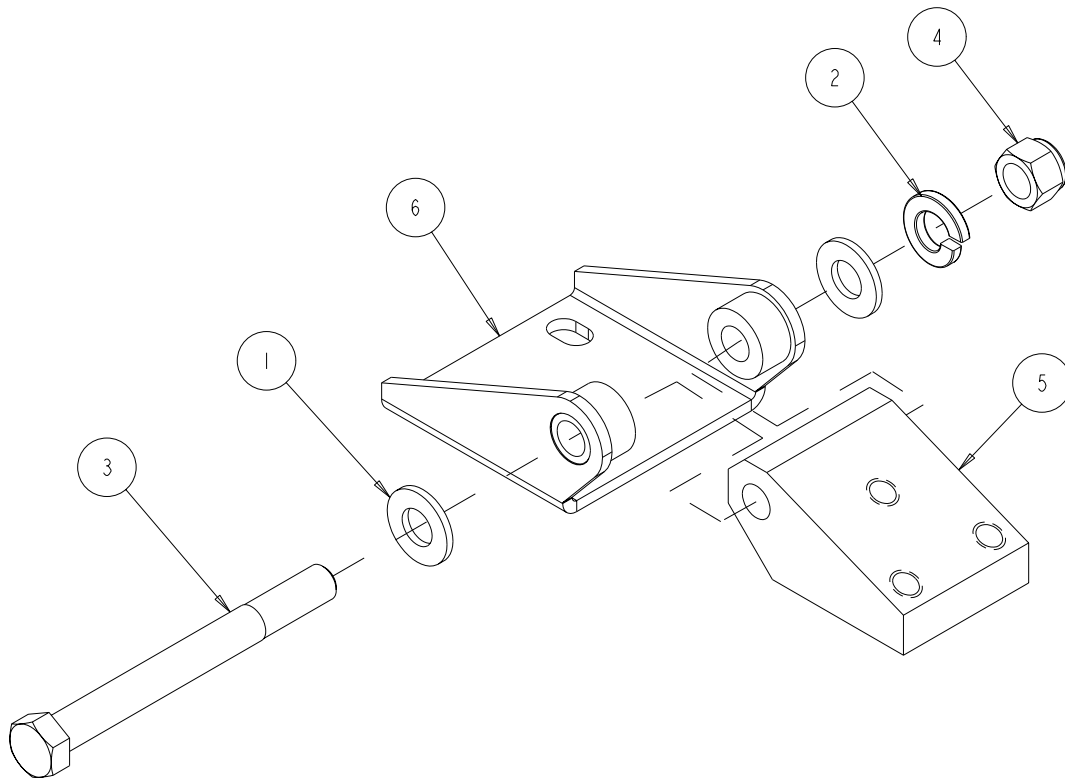
ITEM NO.	DESCRIPTION	PART #	QTY. REQ.
1	NIPPLE, 1/4 NPT X CLOSE, BRASS	159905	1
2	FITTING, 3/4 X 11.5 MNH X 1/4 FNPT	163992	1
3	FITTING, PUSH ON HOSE 1/4 X 1/4 MALE	165183	2
4	MANIFOLD, WATER, 2 TUBE	167622	1

FIGURE 34 - PARTS LIST: ASSY, WATER MANIFOLD, 4T P/N 167625



ITEM NO.	DESCRIPTION	PART #	QTY. REQ.
1	NIPPLE, 1/4 NPT X CLOSE, BRASS	159905	1
2	FITTING, 3/4 X 11.5 MNH X 1/4 FNPT	163992	1
3	FITTING, PUSH ON HOSE 1/4 X 1/4 MALE	165183	4
4	MANIFOLD, WATER, 4 TUBE	167623	1

FIGURE 35 - PARTS LIST: ASSY, HINGE P/N 163979



ITEM NO.	DESCRIPTION	PART #	QTY. REQ.
1	WASHER, 3/8 SAE FLAT	150923	2
2	WASHER, 3/8 SAE LOCK	150925	1
3	SCREW, 38 - 16 X 3-3/4 HEX HD CAP	152504	1
4	NUT, 3/8 - 16 X 3 NYLOK HEX	152505	1
5	PLATE, FRONT HINGE	163977	1
6	PLATE, REAR HINGE	163978	1